

INSTRUCTIONS FOR INSTALLING A RIGHT SIDEWALL FINAL ASSEMBLY (LESS ACMR)
CONVERSION KIT IN A NATIONAL VENDORS®, MANUAL CANDY MERCHANDISER EQUIPPED
WITH A SELF-LOADING CHANGEMAKER (SCC)

SECTION I - GENERAL INFORMATION

These instructions cover the procedure for converting a manual Candy Merchandiser equipped with a Self-Loading Changemaker (SCC) to have the capability of using a Series 130 All Coin Manual Recorder (ACMR).

Read these instructions carefully and thoroughly before installing the Kit. Retain these instructions for part number and installation information.

NOTE

1. *Do not attempt to perform the installation of this Kit on location.*
2. *The Merchandiser must be in proper working order before the conversion can be made.*

WARNING

The Delivery Mechanism is a **HEAVY** unit and will have to be removed from the Merchandiser. More than one person will be required to remove and install the Delivery Mechanism.

Each Right Sidewall conversion Kit contains all the parts necessary to convert one Merchandiser. If more than one manual Candy Merchandiser is to be converted, additional Kits will be required.

Parts of the Kit which are not used and parts on the Merchandiser to be replaced, cannot be returned for credit. National Vendors suggests that all unused serviceable parts be placed in inventory for use on other Merchandisers.

The Counter Assembly on the Self-Loading Changemaker (SCC) Right Sidewall will not operate on the replacement Right Sidewall Final Assembly. If a Counter Assembly is desired, a Reset or Non Reset Counter Assembly Kit must be ordered separately. Parts which indicate prices and correct operating instructions such as Insert Assembly Instructions, Panel Displays, Labels, etc., must also be ordered separately. Check the appropriate Parts and Service Manual for proper part numbers.

Check the parts included in the Kit with the Packing List of Section II of these instructions. Use Figure 2-1 as an aid in identifying parts.

Section III through VII of these instructions cover installation procedures for all the Merchandisers to which this Kit applies. Each Section has its own individual Parts List. Select these parts from the Packing List in Section II using Figure 2-1 as an aid in identifying the parts. Determine which Merchandiser you have by the information given below and perform the Steps of that particular Section.

SECTION III applies only to Crown Line Series CC (Wide) and Crown Line Candy Cupboard (Wide) Merchandisers, Serial Numbers CC 119,000 and up and Crown Seventy Two, Series CM-72 and Golden Furniture Line CM-72 Merchandisers, Serial Numbers CM 50,000 and up.

SECTION IV applies only to Crown Line Series CC Deluxe (Narrow) Merchandisers, Serial Numbers CC 90,000 to CC 118,999.

SECTION V applies only to CM Moduline (64 inch) Merchandisers, Serial Numbers CM 10,000 and up.

SECTION VI applies only to CC Deluxe Consuline and 10 CC Deluxe Merchandisers, Serial Numbers CC 50,000 to CC 89,999.

SECTION VII applies only to Series 510 Merchandisers, Serial Numbers up to 10C 37618.

SECTION VIII covers proper lubrication of the Right Sidewall and Delivery Mechanism for all Merchandisers mentioned above.



NATIONAL VENDORS®

PRODUCERS OF THE WORLD'S FINEST AUTOMATIC MERCHANDISERS

A DIVISION OF  UMC INDUSTRIES, INC.

Crown Line® and Crown Seventy Two® are Registered Trademarks of National Vendors.

Printed in U.S.A.

Copyright © 1983 by National Vendors

A Division of UMC Industries, Inc.

1124615-B

SECTION II - PACKING LIST

Kit, Part Number 112-4616, contains the following parts:

Part Number	Description	Quantity	Part Number	Description	Quantity
110-4261	Main Shaft Extension	1	213-4002	Scavenger Bar Assembly	1
110-6647	Outside Price Selector Shaft	1	222-4095	Main Shaft End Arm	1
110-6648	Inside Price Selector Shaft	1	5580060	End Arm Cam Washer	1
112-4011	Scavenger Bar Assembly	1	9900-039	No.10-32 Self Locking Wing Nut	1
112-4023	Scavenger Bar Assembly	1	9900-173	No.8-32 x 3/8 RHS S/T Screw	1
112-4501	Right Sidewall Final Assembly	1		W/LW	1
112-4614	Packaged Parts	1	112-4615	Installation Instructions	1
114-4009	Scavenger Bar Assembly	1		* * *	

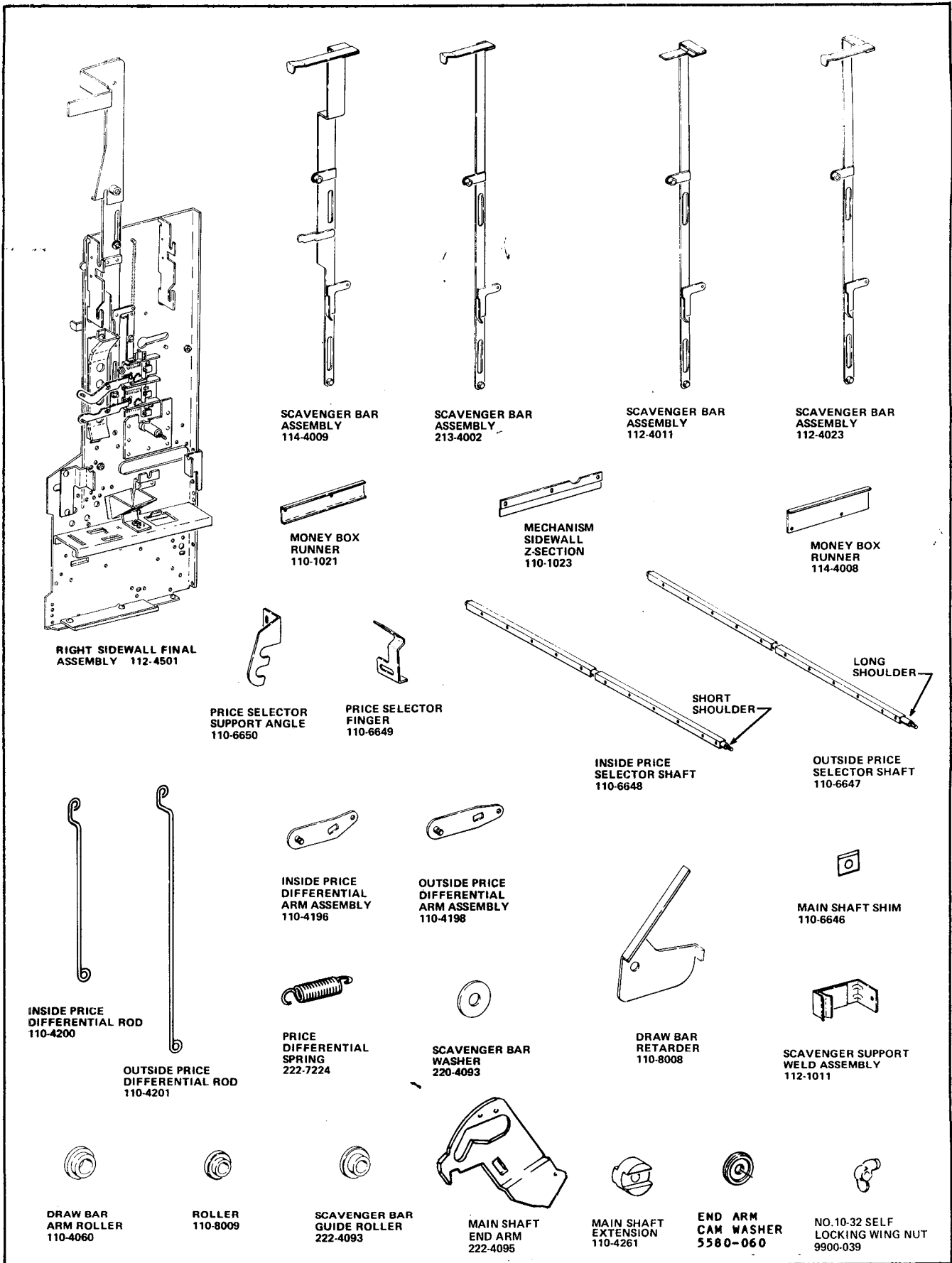
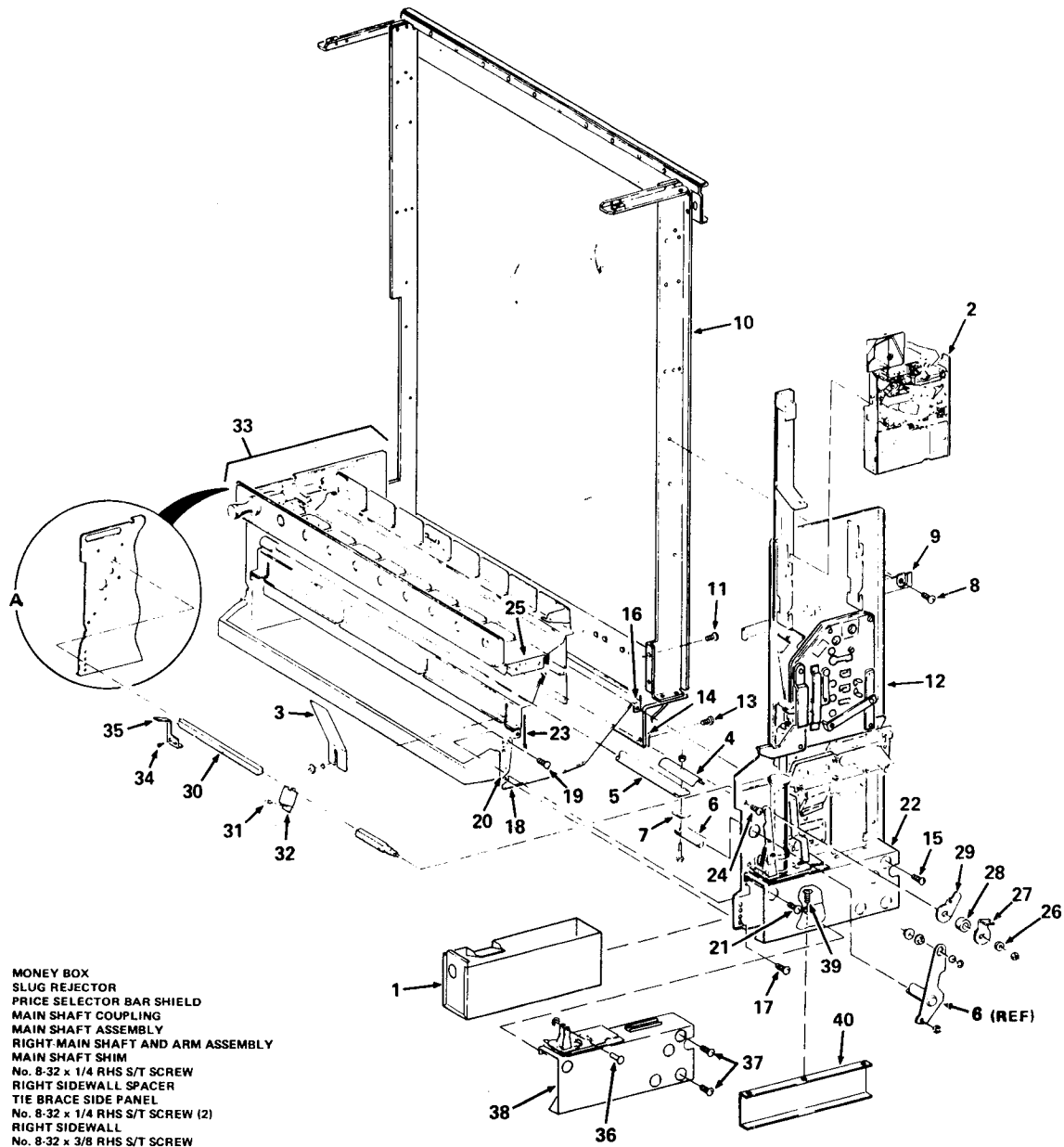


FIGURE 2-1

SECTION III - CROWN LINE SERIES CC AND CANDY CUPBOARD (WIDE) - CROWN SEVENTY TWO SERIES AND GOLDEN FURNITURE LINE CM-72 MERCHANDISERS

PARTS LIST

Part Number	Description	Quantity	Part Number	Description	Quantity
110-6649	Price Selector Finger	5			
110-6647	Outside Price Selector Shaft attaching parts	1	** 9900-156	No.8-32 x 1/2 RHS S/T Screw * * *	3
9900-106	No.8-32 x 3/8 Acorn Hex Hd. S/T Screw * * *	5	222-4095	Main Shaft End Arm	1
110-6648	Inside Price Selector Shaft	1	222-6511	Main Shaft End Washer	1
110-6650	Price Selector Support Angle attaching parts	1	9900-039	No.10-32 Self Locking Wing Nut	1
9900-046	No.8-32 x 1/4 RHS S/T Screw * * *	2	9900-173	No.8-32 x 3/8 RHS S/T Screw W/LW	1
110-4261	Main Shaft Extension * * *	1	*Used only on CM-72 Merchandisers.		
112-4501	Right Sidewall Final Assembly attaching parts	1	**Used only on Crown Line Series CC or Candy Cupboard Merchandisers.		
9900-023	No.8-32 x 3/8 PHS Screw W/LW	4	TO INSTALL THE KIT		
9900-046	No.8-32 x 1/4 RHS S/T Screw	5	A. PARTS REMOVAL		
9900-063	No.8-32 x 3/8 RHS S/T Screw	1	1. Unplug the Merchandiser electrical Service Cord from the wall receptacle.		
9900-187	No.8-32 x 3/8 RHS S/T Screw * * *	1	2. Open the Door as wide as allowed by the Door Check Arm.		
110-4060	Draw Bar Arm Roller * * *	2	3. Set the Door Holder Leg.		
110-6646	Main Shaft Shim * * *	1	4. Remove the Money Box from the Merchandiser. See Figure 3-1.		
9900-041	9/16 x .260 x .040 Brass Washer	1	5. Remove all Merchandise from the Magazine Columns.		
9900-425	.250 Retaining Ring * * *	1	6. If the Merchandiser is equipped with a Gum and Mint Mechanism, remove the Gum and Mint Magazine.		
110-4196	Inside Price Differential Arm Assembly	1	NOTE		
110-4198	Outside Price Differential Arm Assembly attaching parts	1	<i>National Vendors suggests that to facilitate the proper reinstallation of the Delivery Mechanism and Magazine Columns, small coin-envelopes or bags be used to store small parts and attaching hardware. Label each envelope or bag with specific location information.</i>		
9900-067	7/16 x .203 x .062 Steel Washer	2	7. Remove all Magazine Columns.		
9900-206	No.10-32 Self Locking Nut * * *	2	WARNING The Delivery Mechanism is a HEAVY Unit. More than one person will be required to remove the Delivery Mechanism from the Merchandiser.		
110-4200	Inside Price Differential Rod	1			
110-4201	Outside Price Differential Rod attaching parts	1	8. Remove the Delivery Mechanism from the Cabinet and lay on a suitable workbench.		
9900-412	.125 Retaining Ring	2			
9900-418	.187 Retaining Ring * * *	2			
222-7224	Price Differential Spring * * *	2			
110-8008	Draw Bar Retarder	1			
110-8009	Roller attaching parts	1			
9900-202	No.8-32 x 5/8 RHS Screw W/LW	1			
9900-081	No.8-32 Nut W/LW	1			
9900-046	No.8-32 x 1/4 RHS S/T Screw * * *	1			
*114-4008	Money Box Runner attaching part	1			
*9900-187	No.8-32 x 3/8 RHS S/T Screw * * *	3			
**110-1023	Mechanism Sidewall Z-Section attaching part	1			

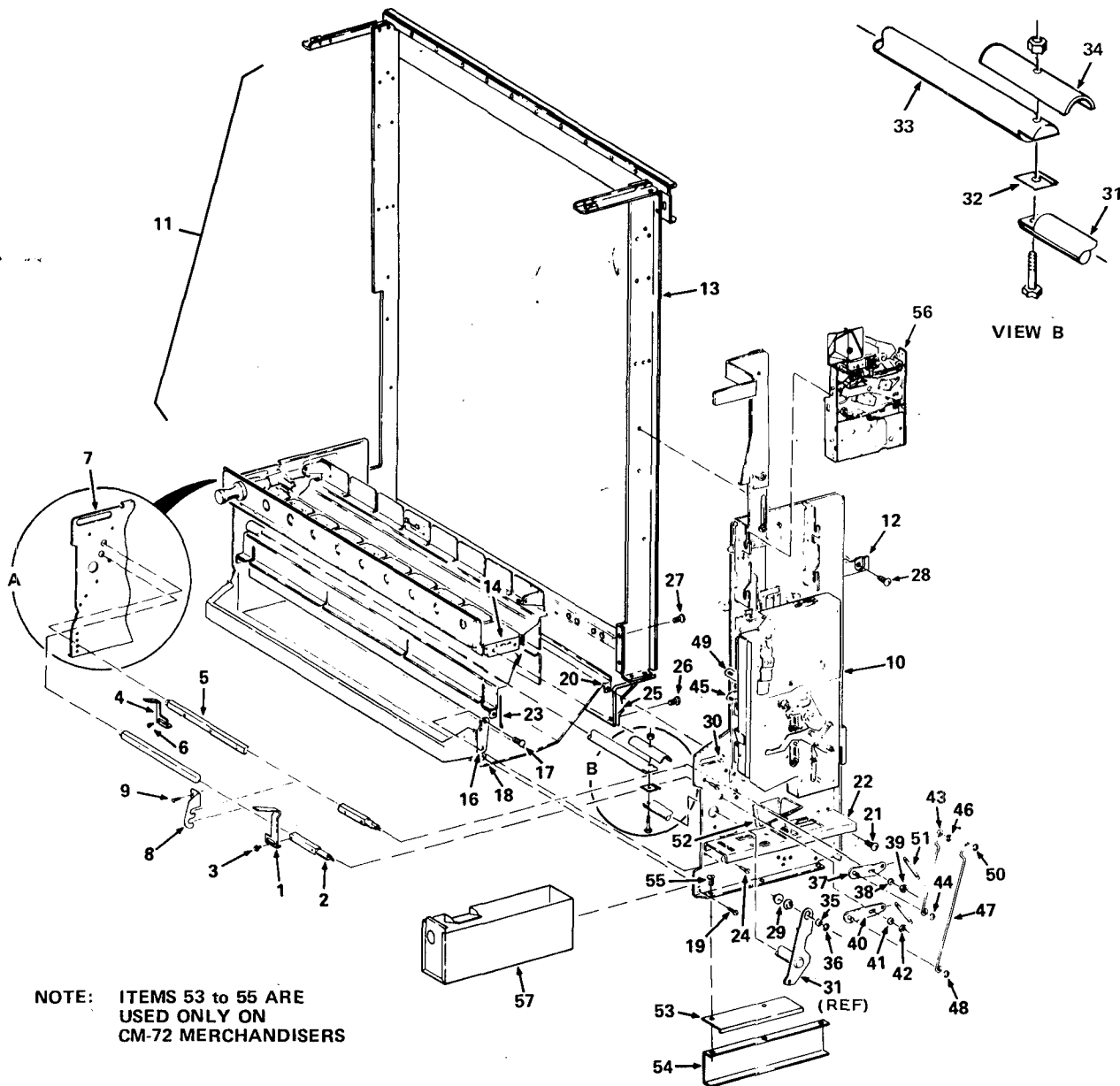


1. MONEY BOX
2. SLUG REJECTOR
3. PRICE SELECTOR BAR SHIELD
4. MAIN SHAFT COUPLING
5. MAIN SHAFT ASSEMBLY
6. RIGHT MAIN SHAFT AND ARM ASSEMBLY
7. MAIN SHAFT SHIM
8. No. 8-32 x 1/4 RHS S/T SCREW
9. RIGHT SIDEWALL SPACER
10. TIE BRACE SIDE PANEL
11. No. 8-32 x 1/4 RHS S/T SCREW (2)
12. RIGHT SIDEWALL
13. No. 8-32 x 3/8 RHS S/T SCREW
14. TIE BRACE BASE PLATE ASSEMBLY
15. No. 8-32 x 3/8 PHS SCREW W/LW
16. REAR OF DELIVERY PAN ASSEMBLY
17. No. 8-32 x 3/8 PHS SCREW W/LW
18. FRONT OF DELIVERY PAN ASSEMBLY
19. No. 8-32 x 1/4 RHS S/T SCREW (2)
20. DELIVERY PAN CASTING RIGHT END BRACKET
21. No. 8-32 x 3/8 RHS S/T SCREW
22. COIN BOX HOUSING
23. PAN GUARD ASSEMBLY
24. No. 8-32 x 3/8 PHS SCREW W/LW (2)
25. END OF MAIN SLOTTED APRON
26. SELECTOR BAR SHAFT WASHER
27. COIN STACK LOCK CAM
28. PRICE SHAFT CAM SPACER
29. PRICE DIFFERENTIAL CAM
30. PRICE SELECTOR SHAFT
31. No. 8-32 x 1/4 RHS S/T SCREW (2)
32. PRICE SELECTOR SUPPORT ANGLE
33. DRAW MECHANISM
34. No. 8-32 x 3/8 ACORN HEX HEAD SCREW (10)
35. PRICE SELECTOR FINGER (10)
36. PIVOT STUD
37. No. 8-32 x 3/8 PHS SCREW W/LW (2)
38. COIN BOX HOUSING AND EJECTOR PLATE ASSEMBLY
39. No. 8-32 x 3/8 RHS T/C SCREW (3)
40. SIDEWALL EXTENSION

NOTE: ITEMS 36 to 40 ARE REMOVED ONLY ON CM-72 MERCHANDISERS

FIGURE 3-1

9. Remove the Slug Rejector Assembly from the Right Sidewall. Retain the Slug Rejector Assembly for use on the replacement Right Sidewall Final Assembly. See Figure 3-1.
 10. Loosen a No.8-32 Nut with Lockwasher and remove the Price Selector Bar Shield from the Pan Guard Assembly. Tighten the Nut. See Figure 3-1.
 11. Remove a No.10-32 Nut, Main Shaft Bolt, and Main Shaft Coupling from the left Main Shaft Assembly and Right Main Shaft and Arm Assembly of the Delivery Mechanism. Retain the No.10-32 Nut, Main Shaft Bolt, and Main Shaft Coupling for use during installation of the Kit. See Figure 3-1.
 12. Remove the Main Shaft Shim from between the left Main Shaft Assembly and Right Main Shaft and Arm Assembly. See Figure 3-1.
 13. Remove a No.8-32 x 1/4 RHS Self Tapping Screw attaching the Right Sidewall Spacer to the middle of the Tie Brace Side Panel. See Figure 3-1.
 14. Remove two No.8-32 x 1/4 RHS Self Tapping Screws attaching the lower end of the right Tie Brace Side Panel to the Right Sidewall. See Figure 3-1.
 15. Remove a No.8-32 x 3/8 RHS Self Tapping Screw attaching the lower rear edge of the Right Sidewall to the Tie Brace Base Plate Assembly. See Figure 3-1.
 16. Remove a No.8-32 x 3/8 PHS Screw with Lockwasher attaching the rear part of the Right Sidewall to the rear of the Delivery Pan Assembly. See Figure 3-1.
 17. Remove a No.8-32 x 3/8 PHS Screw with Lockwasher attaching the front edge of the Right Sidewall to the front end of the Delivery Pan Assembly. See Figure 3-1.
 18. Remove two No.8-32 x 1/4 RHS Self Tapping Screws attaching the Delivery Pan Casting Right End Bracket to the front edge of the Right Sidewall. See Figure 3-1.
 19. Remove a No.8-32 x 3/8 RHS Self Tapping Screw attaching the Coin Box Housing and Right Sidewall to the Pan Guard Assembly. See Figure 3-1.
 20. Remove two No.8-32 x 3/8 PHS Screws with Lockwashers attaching the Right Sidewall to the end of the Main Slotted Apron. See Figure 3-1.
 21. Remove a No.10-32 Nut, Selector Bar Shaft Washer, Coin Stack Lock Cam, Price Shaft Cam Spacer and Price Differential Cam from the Price Selector Shaft. See Figure 3-1.
 22. Remove the Right Sidewall Assembly from the Delivery Mechanism. See Figure 3-1.
 23. Remove two Retaining Rings, a Washer, and the Right Main Shaft and Arm Assembly from the Right Sidewall. Retain the Right Main Shaft and Arm Assembly for use on the replacement Right Sidewall Final Assembly. See Figure 3-1.
 24. Remove two No.8-32 x 1/4 RHS Self Tapping Screws and Price Selector Support Angle from the Pan Guard Assembly. See Figure 3-1.
 25. Remove the Price Selector Shaft from the Draw Mechanism. See Figure 3-1.
 26. Remove ten No.8-32 x 3/8 Acorn Hex Head Screws and ten Price Selector Fingers from the Price Selector Shaft. Retain the Screws and Price Selector Fingers for use in installing the Kit. See Figure 3-1.
- NOTE**
- Steps 27 and 28 apply only to the CM-72 Merchandiser.*
27. Remove a .125 Retaining Ring, Pivot Stud, two No.8-32 Nuts with Lockwashers, two No.8-32 x 3/8 PHS Screws with Lockwashers, and the Coin Box Housing and Ejector Plate Assembly from the Right Sidewall. See Figure 3-1.
 28. Remove three No.8-32 x 3/8 RHS Thread Cutting Screws and the Sidewall Extension from the Right Sidewall. Retain the Sidewall Extension for use on the replacement Right Sidewall Final Assembly. See Figure 3-1.
 29. Thoroughly clean the Draw Mechanism. See Figure 3-1.
- B. INSTALLATION OF THE KIT**
- NOTE**
- Be sure the threaded ends of both Price Selector Shafts are positioned to the right and the Price Selector Fingers are installed in the up position, as shown in Figure 3-2.*
1. Install the five Price Selector Fingers, Part Number 110-6649, on the Outside Price Selector Shaft, Part Number 110-6647, using five No.8-32 x 3/8 Acorn Hex Head Self Tapping Screws, Part Number 9900-106, all included in the Kit. See Figure 3-2.
 2. Install the ten Price Selector Fingers removed in the Parts Removal Procedure, on the Inside Price Selector Shaft, Part Number 110-6648, included in the Kit, using the ten No.8-32 x 3/8 Acorn Hex Head Self Tapping Screws, also retained from the Parts Removal Procedure. See Figure 3-2.



- | | |
|---|--|
| <ol style="list-style-type: none"> 1. PRICE SELECTOR FINGER (5) - (110-6649) 2. OUTSIDE PRICE SELECTOR SHAFT - (110-6647) 3. No. 8-32 x 3/8 ACORN HEX HEAD S/T SCREW (6) - (9900-106) 4. PRICE SELECTOR FINGER (10) - (From Parts Removal) 5. INSIDE PRICE SELECTOR SHAFT - (110-6648) 6. No. 8-32 x 3/8 ACORN HEX HEAD S/T SCREW (10) - (From Parts Removal) 7. LEFT SIDEWALL 8. PRICE SELECTOR SUPPORT ANGLE - (110-6650) 9. No. 8-32 x 1/4 RHS S/T SCREW (2) - (9900-046) 10. RIGHT SIDEWALL FINAL ASSEMBLY (112-4501) 11. DELIVERY MECHANISM 12. RIGHT SIDEWALL SPACER 13. TIE BRACE SIDE PANEL 14. END OF MAIN SLOTTED APRON 15. No. 8-32 x 3/8 PHS SCREW W/LW (2) - (9900-023) 16. DELIVERY PAN CASTING RIGHT END BRACKET 17. No. 8-32 x 1/4 RHS S/T SCREW (2) - (9900-046) 18. FRONT END OF DELIVERY PAN ASSEMBLY 19. No. 8-32 x 3/8 PHS SCREW W/LW - (9900-023) 20. REAR OF DELIVERY PAN ASSEMBLY 21. No. 8-32 x 3/8 PHS SCREW W/LW - (9900-023) 22. MONEY BOX PLATE 23. PAN GUARD ASSEMBLY 24. No. 8-32 x 3/8 RHS S/T SCREW - (9900-063) 25. TIE BRACE BASE PLATE ASSEMBLY 26. No. 8-32 x 3/8 RHS S/T SCREW - (9900-187) 27. No. 8-32 x 1/4 RHS S/T SCREW (2) - (9900-046) 28. No. 8-32 x 1/4 RHS S/T SCREW - (9900-046) 29. DRAW BAR ARM ROLLER (2) - (110-4060) | <ol style="list-style-type: none"> 30. STUD (RACK PLATE ASSEMBLY) 31. RIGHT MAIN SHAFT AND ARM ASSEMBLY (From Parts Removal) 32. MAIN SHAFT SHIM - (110-6646) 33. MAIN SHAFT ASSEMBLY 34. MAIN SHAFT COUPLING (From Parts Removal, including Bolt and Nut) 35. 9/16 x .280 x .040 BRASS WASHER - (9900-041) 36. .250 RETAINING RING (9900-425) 37. INSIDE PRICE DIFFERENTIAL ARM ASSEMBLY (110-4196) 38. 7/16 x .203 x .062 STEEL WASHER (9900-067) 39. No. 10-32 SELF LOCKING NUT (9900-206) 40. OUTSIDE PRICE DIFFERENTIAL ARM ASSEMBLY (110-4198) 41. 7/16 x .203 x .062 STEEL WASHER (9900-067) 42. No. 10-32 SELF LOCKING NUT (9900-206) 43. INSIDE PRICE DIFFERENTIAL ROD (110-4200) 44. .187 RETAINING RING (9900-418) 45. LATCH INSERT LOWER ARM ASSEMBLY 46. .125 RETAINING RING (9900-412) 47. OUTSIDE PRICE DIFFERENTIAL ROD (110-4201) 48. .187 RETAINING RING (9900-418) 49. LATCH INSERT UPPER ARM ASSEMBLY 50. .125 RETAINING RING (9900-412) 51. PRICE DIFFERENTIAL SPRINGS (2) - (222-7224) 52. RETURN COIN SPOUT MOUNTING BRACKET 53. MONEY BOX RUNNER (114-4008) 54. SIDEWALL EXTENSION (From Parts Removal) 55. No. 8-32 x 3/8 RHS S/T SCREW (3) - (9900-187) 56. SLUG REJECTOR ASSEMBLY (From Parts Removal) 57. MONEY BOX (From Parts Removal) |
|---|--|

FIGURE 3-2

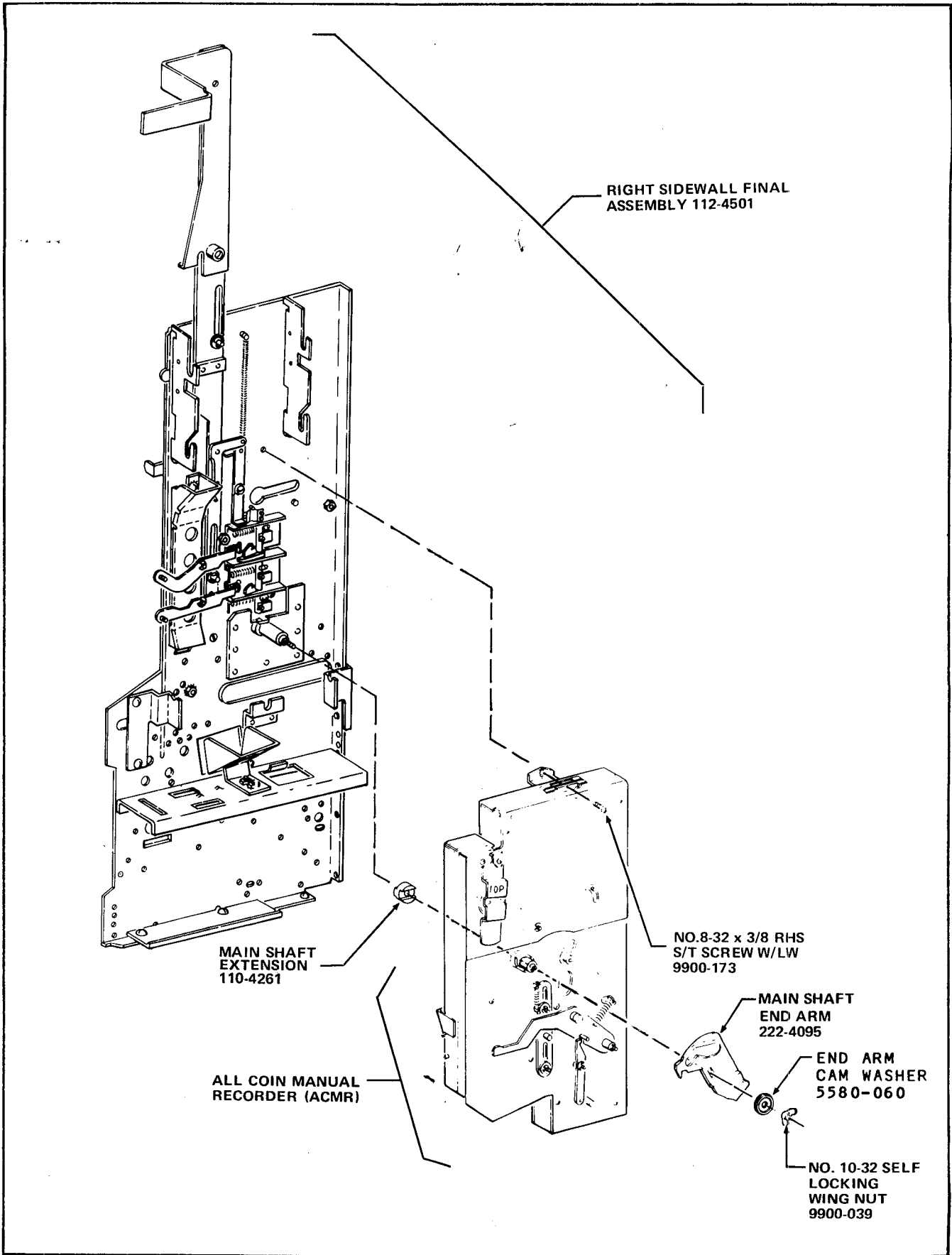


FIGURE 3-3

3. Install the non-threaded end of the Inside Price Selector Shaft in the top inside hole in the Left Sidewall. See View A of Figure 3-2.
4. Install the non-threaded end of the Outside Price Selector Shaft in the lower outside hole in the Left Sidewall. See View A of Figure 3-2.

NOTE

Do not tighten Screws in Steps 5 thru 17 until Step 17 is completed.

5. Install the Price Selector Support Angle, Part Number 110-6650, on the Pan Guard Assembly, fitting the two notches of the Angle around the two Price Selector Shafts, and attach the Angle to the Pan Guard Assembly using two No.8-32 x 1/4 RHS Self Tapping Screws, Part Number 9900-046, all included in the Kit. See Figure 3-2.
6. Install the Main Shaft Extension, Part Number 110-4261, on the Main Shaft of the Right Sidewall Final Assembly, Part Number 112-4501, both parts included in the Kit, by matching the slotted end of the Main Shaft Extension with the shouldered end of the Main Shaft. See Figure 3-3.
7. Install an All Coin Manual Recorder (ACMR) on the Right Sidewall Final Assembly by fitting the Main Shaft of the Sidewall through the hole in the ACMR. Mount the studs on the sides of the ACMR on top of the Mounting Brackets on the Right Sidewall. See Figure 3-3.
8. Attach the top of the ACMR to the Right Sidewall with a No.8-32 x 3/8 RHS Self Tapping Screw with Lockwasher, Part Number 9900-173, included in the Kit. See Figure 3-3.
9. Install the Main Shaft End Arm, Part Number 222-4095, included in the Kit, on the Main Shaft protruding through the ACMR and attach with a End Arm Cam Washer, Part Number 5580-060, and No.10-32 Self Locking Wing Nut, Part Number 9900-039, both parts included in the Kit. See Figure 3-3.
10. Install the Right Sidewall and ACMR Assembly, on the Delivery Mechanism by first fitting the two holes in the Right Sidewall over the threaded ends of the two Price Selector Shafts. Check that the hole in the Right Sidewall Spacer lines up with the correct screw hole in the Tie Brace Side Panel. Attach the Right Sidewall to the end of the Main Slotted Apron using two No.8-32 x 3/8 PHS Screws with Lockwashers, Part Number 9900-023, included in the Kit. See Figure 3-2.
11. Fit the Delivery Pan Casting Right End Bracket over the Right Sidewall and align the two holes in the Bracket with the two holes in the Sidewall. Attach the two parts using two No.8-32 x 1/4 RHS Self Tapping Screws, Part Number 9900-046, included in the Kit. See Figure 3-2.

12. Attach the front edge of the Right Sidewall to the front end of the Delivery Pan Assembly using a No.8-32 x 3/8 PHS Screw with Lockwasher, Part Number 9900-023, included in the Kit. See Figure 3-2.
13. Attach the rear part of the Right Sidewall to the rear of the Delivery Pan Assembly using a No.8-32 x 3/8 PHS Screw with Lockwasher, Part Number 9900-023, included in the Kit. See Figure 3-2.
14. Attach the front end of the Money Box Plate to the Pan Guard Assembly using a No.8-32 x 3/8 RHS Self Tapping Screw, Part Number 9900-063, included in the Kit. See Figure 3-2.
15. Attach the lower rear edge of the Right Sidewall to the Tie Brace Base Plate Assembly using a No.8-32 x 3/8 RHS Self Tapping Screw, Part Number 9900-187, included in the Kit. See Figure 3-2.

CAUTION

1. Be sure the Price Selector Shafts are in the proper holes on the Left Sidewall. See View A of Figure 3-2.
2. Check to be sure the right end of the Draw Bar is properly fit under the notched part of the Rack Plate Arm. Compare with the left end fitting of both parts. See Figure 3-4.

16. Attach the lower end of the right Tie Brace Side Panel to the Right Sidewall using two No.8-32 x 1/4 RHS Self Tapping Screws, Part Number 9900-046, included in the Kit. See Figure 3-2.
17. Attach the Right Sidewall Spacer to the middle of the Tie Brace Side Panel, using a No.8-32 x 1/4 RHS Self Tapping Screw, Part Number 9900-046, included in the Kit. See Figure 3-2.

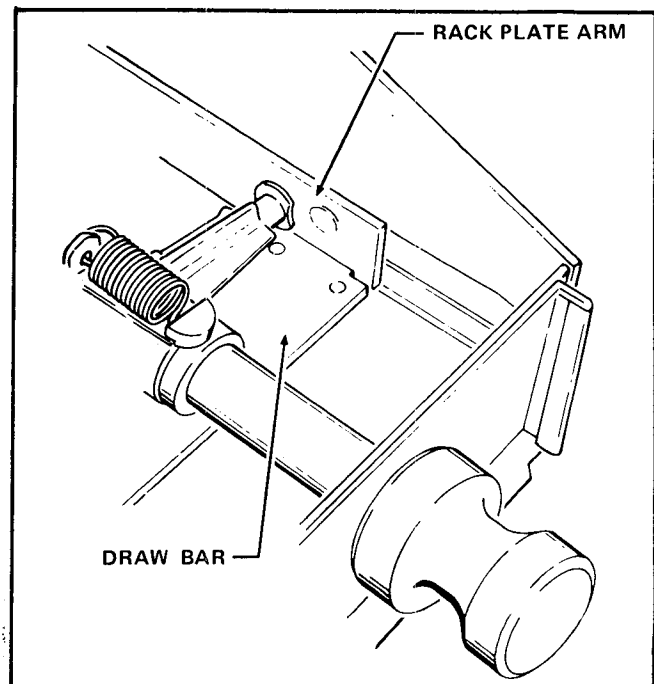


FIGURE 3-4

18. Tighten all Screws installed in Steps 5 through 16.
19. Install two Draw Bar Arm Rollers, Part Number 110-4060, included in the Kit, over the Stud on the arm of the Rack Plate Assembly, protruding through the slot in the Right Sidewall. See Figure 3-2.
20. Insert the Right Main Shaft and Arm Assembly, removed in the Parts Removal Procedure, through the hole in the Right Sidewall and fit the slotted end of the Arm Assembly over the Stud on the arm of the Rack Plate Assembly. See Figure 3-2.

NOTE

1. *Be sure the Main Shaft Shim in the next step is positioned as shown in View B of Figure 3-2, with the lip facing up and toward the rear.*
2. *Use the Bolt, Nut, and Coupling in the next step which were removed in the Parts Removal Procedure.*

21. Install the Main Shaft Bolt through the Right Main Shaft and Arm Assembly, the Main Shaft Shim, Part Number 110-6646, included in the Kit, the left Main Shaft Assembly and the Main Shaft Coupling and secure these parts with a No.10-32 Nut. See View B of Figure 3-2.
22. Attach the slotted end of the Arm of the Right Main Shaft and Arm Assembly to the Stud on the arm of the Rack Plate Assembly using a 9/16 x .260 x .040 Brass Washer, Part Number 9900-041 and a .250 Retaining Ring, Part Number 9900-425, both included in the Kit. See Figure 3-2.
23. Install the Inside Price Differential Arm Assembly, Part Number 110-4196, included in the Kit, on the shoulder of the end of the Inside Price Selector Shaft, with the stud on the Arm facing away from the Right Sidewall and toward the front; then, secure with a 7/16 x .203 x .062 Steel Washer, Part Number 9900-067, and a No.10-32 Self Locking Nut, Part Number 9900-206, both included in the Kit. See Figure 3-2.

24. Install the Outside Price Differential Arm Assembly, Part Number 110-4198, included in the Kit, on the shoulder of the end of the Outside Price Selector Shaft with the stud on the Arm facing away from the Right Sidewall and toward the front; then, secure with a 7/16 x .203 x .062 Steel Washer, Part Number 9900-067 and a No.10-32 Self Locking Nut, Part Number 9900-206, both included in the Kit. See Figure 3-2.

25. Install the straight end of the Inside Price Differential Rod, Part Number 110-4200, included in the Kit, over the stud on the Inside Price Differential Arm Assembly and attach the parts with a .187 Retaining Ring, Part Number 9900-418, included in the Kit. See Figure 3-2.

26. Install the other end of the Inside Price Differential Rod over the stud on the Latch Insert Lower Arm Assembly and attach the parts with a .125 Retaining Ring, Part Number 9900-412, included in the Kit. See Figure 3-2.

27. Install the straight end of the Outside Price Differential Rod, Part Number 110-4201, included in the Kit, over the stud on the Outside Price Differential Arm Assembly and attach the parts with a .187 Retaining Ring, Part Number 9900-418, included in the Kit. See Figure 3-2.

28. Install the other end of the Outside Price Differential Rod over the stud on the Latch Insert Upper Arm Assembly and attach the parts with a .125 Retaining Ring, Part Number 9900-412, included in the Kit. See Figure 3-2.

29. Install two Price Differential Springs, Part Number 222-7224, included in the Kit. Attach one Spring to the hole in one end of the Inside Price Differential Arm Assembly and attach the other end of the Spring to the upper hole in the Return Coin Spout Mounting Bracket. Similarly, attach the other Spring to the Outside Price Differential Arm Assembly and the lower hole in the Return Coin Spout Mounting Bracket. See Figure 3-2.

30. Install the Draw Bar Retarder, Part Number 110-8008, and Roller, Part Number 110-8009, on the Left Sidewall using a No.8-32 x 5/8 PHS Screw with Lockwasher, Part Number 9900-202 and a No.8-32 Nut with Lockwasher, Part Number 9900-081, all included in the Kit. Lubricate the Roller with Lubriplate. See View A of Figure 3-5.

31. Install a No.8-32 x 1/4 RHS Self Tapping Screw, Part Number 9900-046, included in the Kit, from the inside of the Left Sidewall so the Draw Bar Retarder Arm rests on the threads of the Screw. See View A of Figure 3-5.

NOTE

1. *When a Pull Knob is pulled too fast, the Draw Bar Retarder Tab will lock the Left Arm Assembly, preventing a "free" vend. To complete the vend cycle when this happens, pull the Pull Knob all the way out, which will release the Left Arm Assembly and allow the Pull Knob to return to the at rest position. If the Draw Bar Retarder does not satisfactorily lock the Left Arm Assembly when a Pull Knob is pulled fast, bend the Draw Bar Retarder Arm down slightly until the Draw Bar Retarder works properly. See View B of Figure 3-5.*

2. *Steps 32 and 33 apply only to Series CM-72 and Golden Furniture Line CM-72 Merchandisers.*

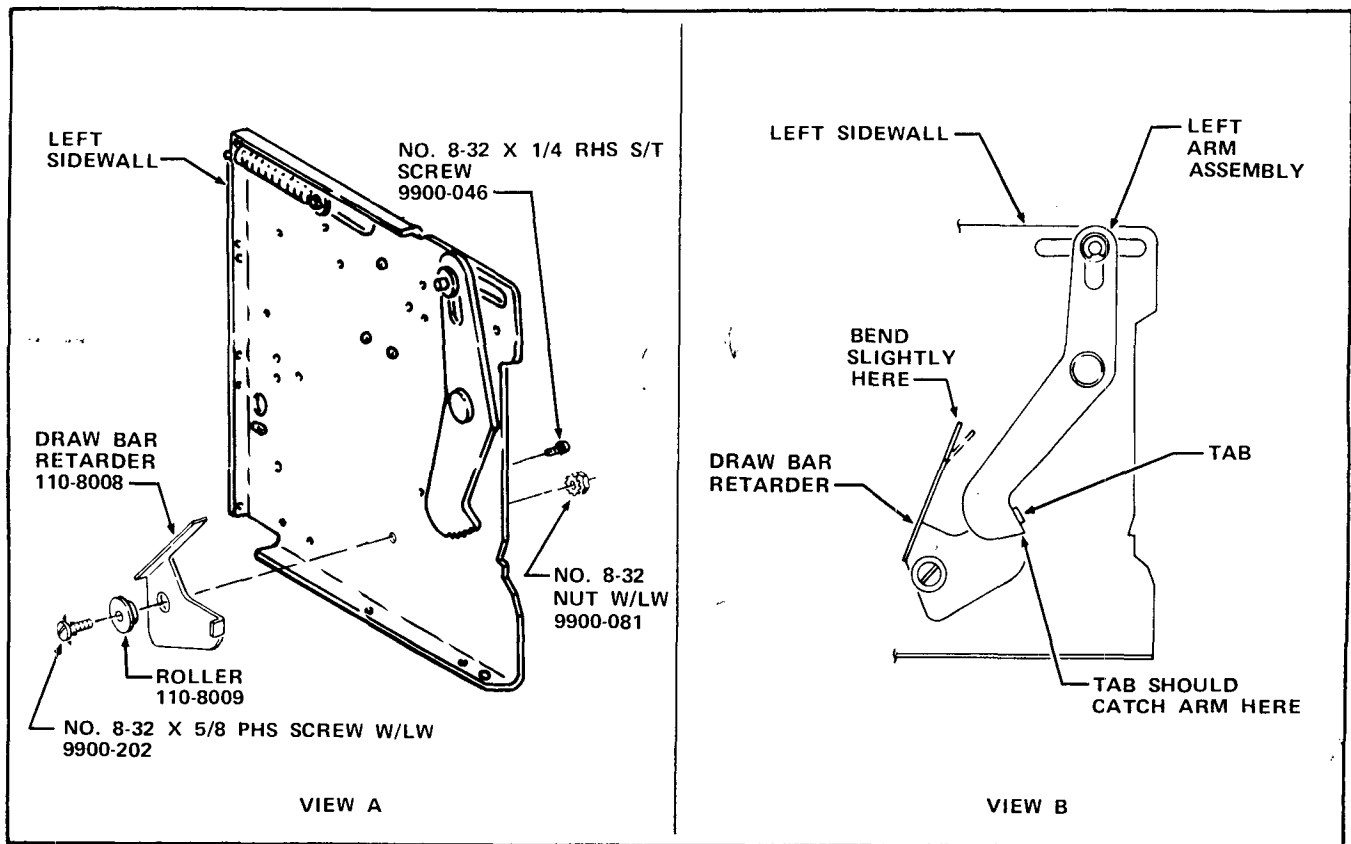


FIGURE 3-5

32. Attach the Money Box Runner, Part Number 114-4008, included in the Kit, on top of the Bottom Flange of the Right Sidewall and attach the Sidewall Extension removed in the Parts Removal Procedure underneath the Bottom Flange of the Right Sidewall using three No.8-32 x 3/8 RHS Self Tapping Screws, Part Number 9900-187, included in the Kit. See Figure 3-2.
33. Remove two Thumbscrews and Scavenger Guide Assembly from the rear holes of the bracket on the right inside wall of the Cabinet and attach the Scavenger Guide Assembly to the holes closest to the front of the same bracket using two Thumbscrews. See Figure 3-6.
34. See Section VIII for proper lubrication of the Right Sidewall and the Delivery Mechanism. The ACMR may have to be removed from the Right Sidewall.
35. Install the Slug Rejector Assembly, removed in the Parts Removal Procedure, on the Right Sidewall. See Figure 3-2.

NOTE

Step 36 applies only to the Series CC and Candy Cupboard Merchandisers.

36. Remove three No.8-32 x 1/2 RHS Self Tapping Screws from the Mechanism Sidewall "Z" Section in the lower right corner of the Merchandiser and install the Mechanism Sidewall "Z" Section, Part Number 110-1023, included in the Kit, on top of the Mechanism Sidewall "Z" Section already in the Merchandiser. Attach using three No.8-32 x 1/2 RHS Self Tapping Screws, Part Number 9900-156, included in the Kit. See Figure 3-7.
37. Remove the Price Setting Instructions Label for the Sliding Coin Chute from the inside of the Door.
38. Position the Coin Block Plate, located on the inside of the Door behind the slot in the Coin Insert Casting, so the Merchandiser will accept nickels, dimes and quarters.

WARNING

The Delivery Mechanism is a HEAVY unit. More than one person will be required to install the Delivery Mechanism in the Cabinet.

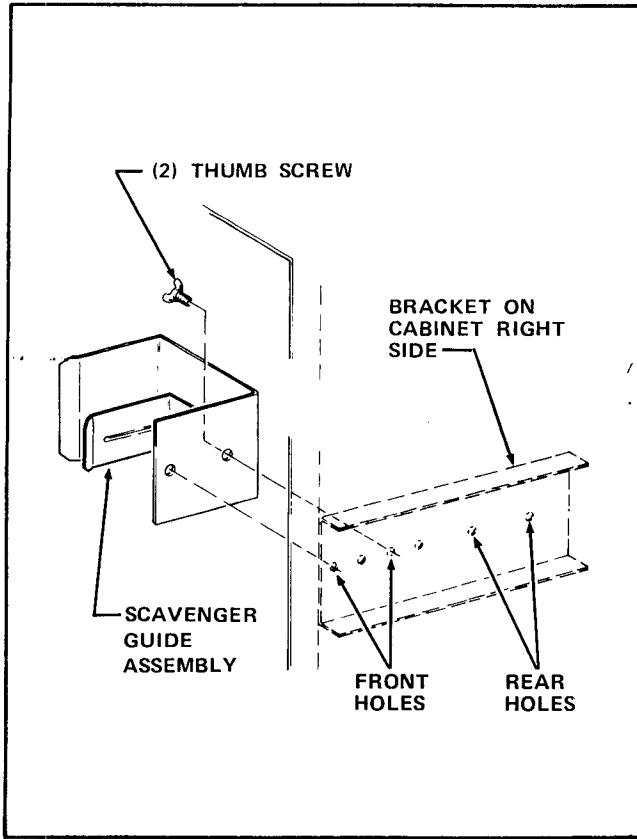


FIGURE 3-6

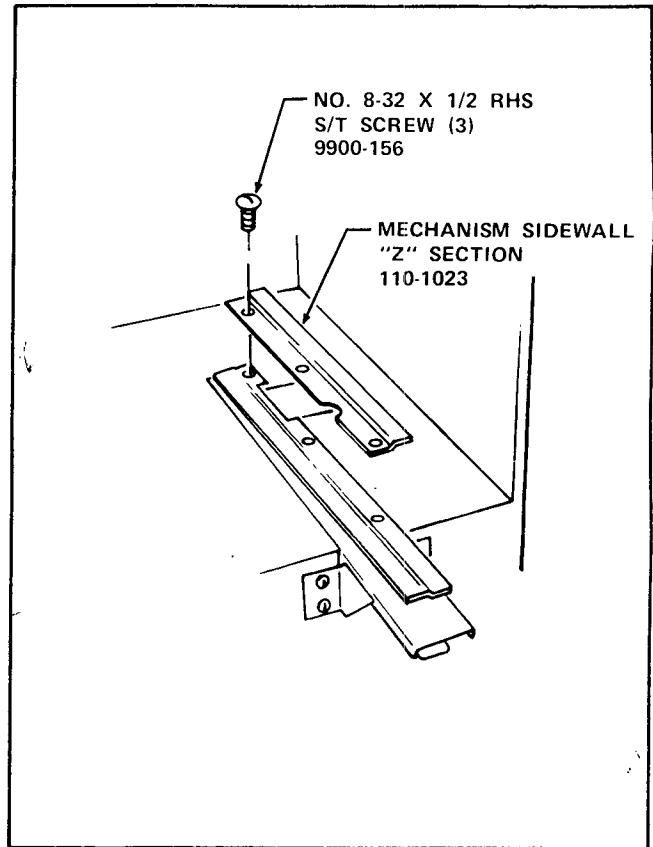


FIGURE 3-7

39. Install the Delivery Mechanism in the Cabinet.
40. Install all Magazine Columns in the Delivery Mechanism.
41. If the Merchandiser is equipped with a Gum and Mint Mechanism, install the Gum and Mint Magazine in the Delivery Mechanism.

42. Install the Money Box. See Figure 3-2.

CAUTION

In some cases the Scavenger Bar Assembly will have to be adjusted to ensure proper closure of the Door and proper operation of the Coin Return.

43. Close the Cabinet Door.

SECTION IV - CROWN LINE SERIES CC DELUXE (NARROW) MERCHANDISERS

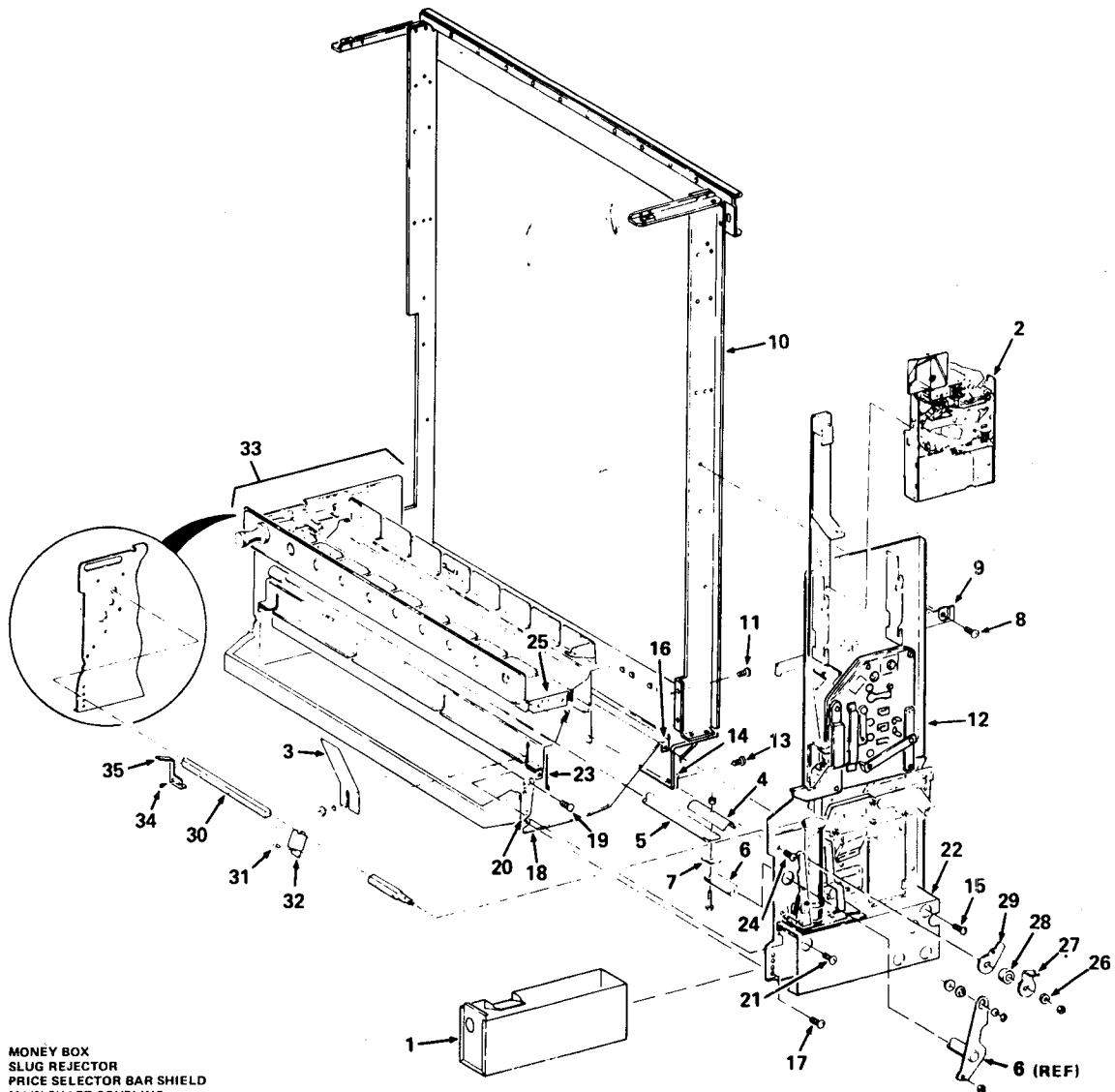
PARTS LIST

Part Number	Description	Quantity	Part Number	Description	Quantity
222-4093	Scavenger Bar Roller Guide	2	110-1023	Mechanism Sidewall "Z" Section	1
112-4011	Scavenger Bar Assembly attaching parts	1	9900-156	No.8-32 x 1/2 RHS S/T Screw * * *	3
220-4093	Scavenger Bar Washer	2	222-4095	Main Shaft End Arm	1
9900-418	.187 Retaining Ring * * *	2	222-6511	Main Shaft End Washer	1
9900-412	.125 Retaining Ring * * *	2	9900-039	No.10-32 Self Locking Wing Nut	1
110-6649	Price Selector Finger	5	9900-173	No.8-32 x 3/8 RHS S/T Screw W/LW * * *	1
110-6647	Outside Price Selector Shaft attaching parts	1			
9900-106	No.8-32 x 3/8 Acorn Hex Hd. S/T Screw * * *	5		TO INSTALL THE KIT	
110-6648	Inside Price Selector Shaft	1		A. PARTS REMOVAL	
110-6650	Price Selector Support Angle attaching part	1		1. Unplug the Merchandiser electrical Service Cord from the wall receptacle.	
9900-046	No.8-32 x 1/4 RHS S/T Screw * * *	2		2. Open the Door as wide as allowed by the Door Check Arm.	
112-4501	Right Sidewall Final Assembly attaching parts	1		3. Set the Door Holder Leg.	
9900-023	No.8-32 x 3/8 PHS Screw W/LW	4		4. Remove the Money Box from the Merchandiser. See Figure 4-1.	
9900-046	No.8-32 x 1/4 RHS S/T Screw	5		5. Remove all Merchandise from the Magazine Columns.	
110-4261	Main Shaft Extension * * *	1		6. If the Merchandiser is equipped with a Gum and Mint Mechanism, remove the Gum and Mint Magazine.	
9900-063	No.8-32 x 3/8 RHS S/T Screw	1			
9900-187	No.8-32 x 3/8 RHS S/T Screw * * *	1		NOTE	
110-4060	Draw Bar Arm Roller * * *	2		<i>National Vendors suggests that to facilitate the proper reinstallation of the Delivery Mechanism and Magazine Columns, small coin-envelopes or bags be used to store small parts and attaching hardware. Label each bag with specific location information.</i>	
110-6646	Main Shaft Shim * * *	1		7. Remove all Magazine Columns.	
9900-041	9/16 x .260 x .040 Brass Washer	1			
9900-425	.250 Retaining Ring * * *	1			
110-4196	Inside Price Differential Arm Assembly	1			
110-4198	Outside Price Differential Arm Assembly attaching parts	1			
9900-067	7/16 x .203 x .062 Steel Washer	2			
9900-206	No.10-32 Self Locking Nut * * *	2			
110-4200	Inside Price Differential Rod	1			
110-4201	Outside Price Differential Rod attaching parts	1			
9900-418	.187 Retaining Ring	2			
9900-412	.125 Retaining Ring * * *	2			
222-7224	Price Differential Spring * * *	2			
110-8008	Draw Bar Retarder	1			
110-8009	Roller attaching parts	1			
9900-081	No.8-32 Nut W/LW	1			
9900-202	No.8-32 x 5/8 PHS Screw W/LW	1			
9900-046	No.8-32 x 1/4 RHS S/T Screw * * *	1			
112-1011	Scavenger Support Weld Assembly * * *	1			

WARNING

The Delivery Mechanism is a HEAVY Unit. More than one person will be required to remove the Delivery Mechanism from the Merchandiser.

8. Remove the Delivery Mechanism from the Cabinet and lay on a suitable workbench.
9. Remove the Slug Rejector Assembly from the Right Sidewall. Retain the Slug Rejector Assembly for use on the replacement Right Sidewall Final Assembly. See Figure 4-1.



1. MONEY BOX
2. SLUG REJECTOR
3. PRICE SELECTOR BAR SHIELD
4. MAIN SHAFT COUPLING
5. MAIN SHAFT ASSEMBLY
6. RIGHT MAIN SHAFT AND ARM ASSEMBLY
7. MAIN SHAFT SHIM
8. No. 8-32 x 1/4 RHS S/T SCREW
9. RIGHT SIDEWALL SPACER
10. TIE BRACE SIDE PANEL
11. No. 8-32 x 1/4 RHS S/T SCREW (2)
12. RIGHT SIDEWALL
13. No. 8-32 x 3/8 RHS S/T SCREW
14. TIE BRACE BASE PLATE ASSEMBLY
15. No. 8-32 x 3/8 PHS SCREW W/LW
16. REAR OF DELIVERY PAN ASSEMBLY
17. No. 8-32 x 3/8 PHS SCREW W/LW
18. FRONT OF DELIVERY PAN ASSEMBLY
19. No. 8-32 x 1/4 RHS S/T SCREW (2)
20. DELIVERY PAN CASTING RIGHT END BRACKET
21. No. 8-32 x 3/8 RHS S/T SCREW
22. COIN BOX HOUSING
23. PAN GUARD ASSEMBLY
24. No. 8-32 x 3/8 PHS SCREW W/LW (2)
25. END OF MAIN SLOTTED APRON
26. SELECTOR BAR SHAFT WASHER
27. COIN STACK LOCK CAM
28. PRICE SHAFT CAM SPACER
29. PRICE DIFFERENTIAL CAM
30. PRICE SELECTOR SHAFT
31. No. 8-32 x 1/4 RHS S/T SCREW (2)
32. PRICE SELECTOR SUPPORT ANGLE
33. DRAW MECHANISM
34. No. 8-32 x 3/8 ACORN HEX HEAD SCREW (10)
35. PRICE SELECTOR FINGER (10)
36. PRICE SELECTOR FINGER (10)

FIGURE 4-1

10. Remove a Nut with Lockwasher, Washer, and Price Selector Bar Shield from the Pan Guard Assembly. Replace Nut and Washer. See Figure 4-1.
11. Remove a No.10-32 Nut, Main Shaft Bolt and Main Shaft Coupling from the left Main Shaft Assembly and Right Main Shaft and Arm Assembly of the Delivery Mechanism. Retain the No.10-32 Nut, Main Shaft Bolt, and Main Shaft Coupling for use during installation of the Kit. See Figure 4-1.
12. Remove the Main Shaft Shim from between the left Main Shaft Assembly and Right Main Shaft and Arm Assembly. See Figure 4-1.
13. Remove a No.8-32 x 1/4 RHS Self Tapping Screw attaching the Right Sidewall Spacer to the middle of the Tie Brace Side Panel. See Figure 4-1.
14. Remove two No.8-32 x 1/4 RHS Self Tapping Screws attaching the lower end of the right Tie Brace Side Panel to the Right Sidewall. See Figure 4-1.
15. Remove a No.8-32 x 3/8 RHS Self Tapping Screw attaching the lower rear edge of the Right Sidewall to the Tie Brace Base Plate Assembly. See Figure 4-1.
16. Remove a No.8-32 x 3/8 PHS Screw with Lockwasher attaching the rear part of the Right Sidewall to the rear of the Delivery Pan Assembly. See Figure 4-1.
17. Remove a No.8-32 x 3/8 PHS Screw with Lockwasher attaching the front edge of the Right Sidewall to the front end of the Delivery Pan Assembly. See Figure 4-1.
18. Remove two No.8-32 x 1/4 RHS Self Tapping Screws attaching the Delivery Pan Casting Right End Bracket to the front edge of the Right Sidewall. See Figure 4-1.
19. Remove a No.8-32 x 3/8 RHS Self Tapping Screw attaching the Coin Box Housing and Right Sidewall to the Pan Guard Assembly. See Figure 4-1.
20. Remove two No.8-32 x 3/8 PHS Screws with Lockwashers attaching the Right Sidewall to the end of the Main Slotted Apron. See Figure 4-1.
21. Remove a No.10-32 Nut, Selector Bar Shaft Washer, Coin Stack Lock Cam, Price Shaft Cam Spacer and Price Differential Cam from the Price Selector Shaft. See Figure 4-1.
22. Remove the Right Sidewall Assembly from the Delivery Mechanism. See Figure 4-1.
23. Remove two Retaining Rings, a Washer, and the Right Main Shaft and Arm Assembly from the Right Sidewall. Retain the Right Main Shaft and Arm Assembly for use on the replacement Right Sidewall Final Assembly. See Figure 4-1.
24. Remove two No.8-32 x 1/4 RHS Self Tapping Screws and Price Selector Support Angle from the Pan Guard Assembly. See Figure 4-1.
25. Remove the Price Selector Shaft from the Draw Mechanism. See Figure 4-1.
26. Remove ten No.8-32 x 3/8 Acorn Hex Head Screws and ten Price Selector Fingers from the Price Selector Shaft. Retain the Screws and Price Selector Fingers for use in installing the Kit. See Figure 4-1.
27. Thoroughly clean the Draw Mechanism. See Figure 4-1.

B. INSTALLATION OF THE KIT

NOTE

Steps 1 through 12 cover preparing the replacement Right Sidewall Final Assembly, Part Number 112-4501, included in the Kit, for use on the Crownline Series CC Deluxe (Narrow) Merchandisers.

1. Remove a Retaining Ring and the Latch Insert Upper Arm Assembly from the Right Sidewall. Retain the Arm Assembly. See Figure 4-2.
2. Remove a Retaining Ring and the Latch Insert Lower Arm Assembly from the Right Sidewall. Retain the Arm Assembly. See Figure 4-2.
3. Remove the end of the Scavenger Bar Spring attached to the Scavenger Bar on the Right Sidewall. See Figure 4-2.

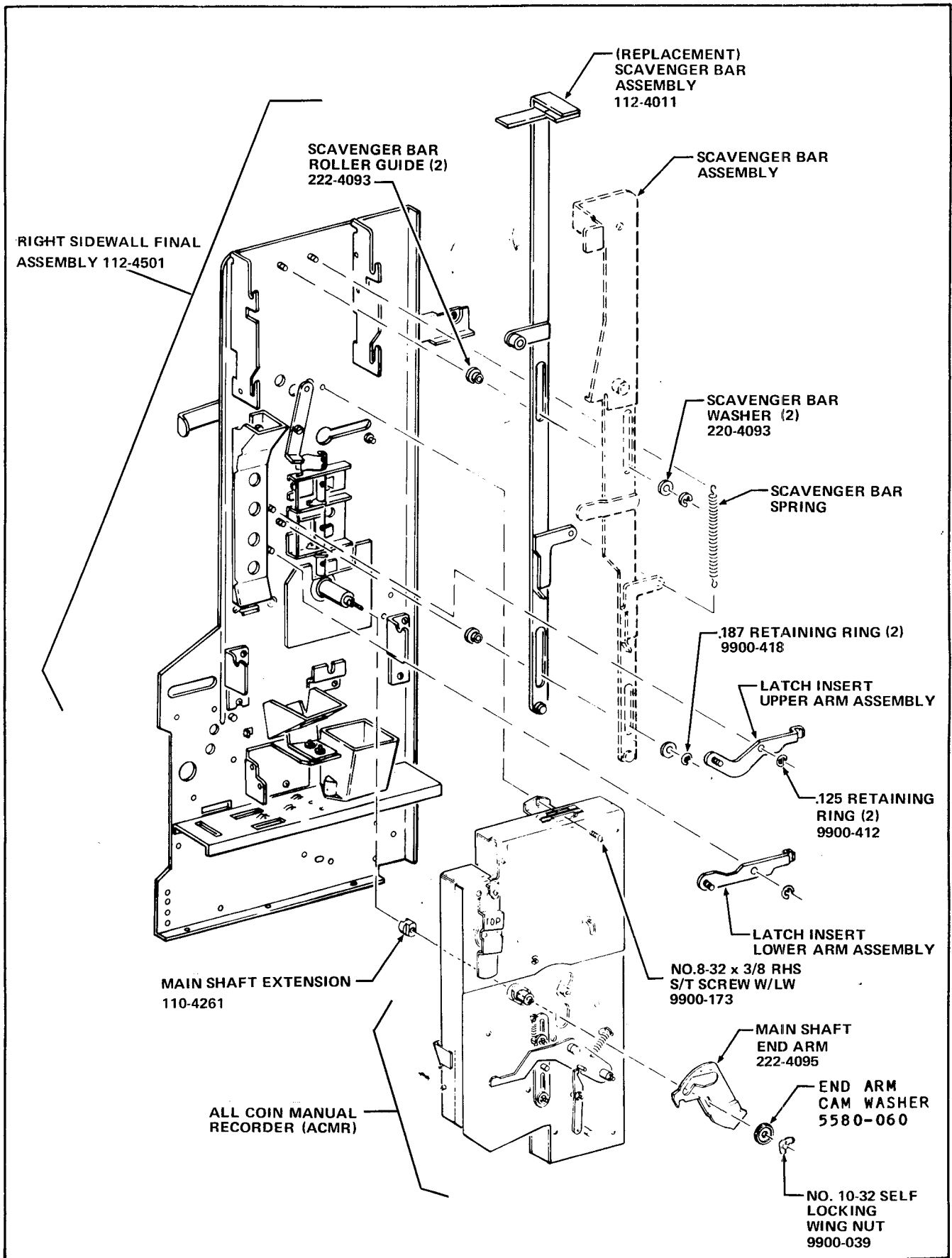


FIGURE 4-2

4. Remove two Retaining Rings, two Scavenger Bar Washers, Scavenger Bar Assembly and two Scavenger Bar Roller Guides from the Right Sidewall. See Figure 4-2.
5. Install two Scavenger Bar Roller Guides, Part Number 222-4093, included in the Kit, on two studs of the replacement Right Sidewall. Make sure the wide end of the Roller Guides rest against the Sidewall. See Figure 4-2.
6. Install the Scavenger Bar Assembly, Part Number 112-4011, included in the Kit, by fitting the slots of the Scavenger Bar Assembly over the Scavenger Bar Roller Guides. Make sure the arm on top of the Scavenger Bar Assembly points towards the front of the Right Sidewall. See Figure 4-2.
7. Attach the Scavenger Bar Assembly to the Right Sidewall using two Scavenger Bar Washers, Part Number 220-4093 and two .187 Retaining Rings, Part Number 9900-418, both included in the Kit. See Figure 4-2.
8. Attach the Scavenger Bar Spring to the Hole in the Angle Arm of the Scavenger Bar Assembly. See Figure 4-2.
9. Install the Latch Insert Upper Arm Assembly removed in Step B-1 on the Right Sidewall, as shown in Figure 4-2, and attach with a .125 Retaining Ring, Part Number 9900-412, included in the Kit.
10. Install the Latch Insert Lower Arm Assembly removed in Step B-2 on the Right Sidewall, as shown in Figure 4-2, and attach with a .125 Retaining Ring, Part Number 9900-412, included in the Kit.

NOTE

Be sure the threaded ends of both Price Selector Shafts are positioned to the right and the Price Selector Fingers are installed in the up position, as shown in Figure 4-3.

11. Install the five Price Selector Fingers, Part Number 110-6649, on the Outside Price Selector Shaft, Part Number 110-6647, using five No.8-32 x 3/8 Acorn Hex Head Self Tapping Screws, Part Number 9900-106, all included in the Kit. See Figure 4-3.
12. Install the ten Price Selector Fingers removed in the Parts Removal Procedure, on the Inside Price Selector Shaft, Part Number 110-6648, included in the Kit, using the ten No.8-32 x 3/8 Acorn Hex Head Self Tapping Screws, also retained from the Parts Removal Procedure. See Figure 4-3.

13. Install the non-threaded end of the Inside Price Selector Shaft in the top inside hole in the Left Sidewall. See View A of Figure 4-3.
14. Install the non-threaded end of the Outside Price Selector Shaft in the lower outside hole in the Left Sidewall. See View A of Figure 4-3.

NOTE

Do not tighten Screws in Steps 15 through 23 until Step 23 is completed.

15. Install the Price Selector Support Angle, Part Number 110-6650, on the Pan Guard Assembly, fitting the two notches of the Angle around the two Price Selector Shafts, as shown in Figure 4-3, and attach the Angle to the Pan Guard Assembly using two No.8-32 x 1/4 RHS Self Tapping Screws, Part Number 9900-046, all included in the Kit. See Figure 4-3.
16. Install the Right Sidewall on the Delivery Mechanism by first fitting the two holes in the Right Sidewall over the threaded ends of the two Price Selector Shafts. Check that the hole in the Right Sidewall Spacer lines up with the correct Screw hole in the Tie Brace Side Panel. Attach the Right Sidewall to the end of the Main Slotted Apron using two No.8-32 x 3/8 PHS Screws with Lockwashers, Part Number 9900-023, included in the Kit. See Figure 4-3.
17. Fit the Delivery Pan Casting Right End Bracket over the Right Sidewall and align the two holes in the Bracket with the two holes in the Sidewall. Attach the two parts using two No.8-32 x 1/4 RHS Self Tapping Screws, Part Number 9900-046, included in the Kit. See Figure 4-3.
18. Attach the front edge of the Right Sidewall to the front end of the Delivery Pan Assembly using a No.8-32 x 3/8 PHS Screw with Lockwasher, Part Number 9900-023, included in the Kit. See Figure 4-3.
19. Attach the rear part of the Right Sidewall to the rear of the Delivery Pan Assembly, using a No.8-32 x 3/8 PHS Screw with Lockwasher, Part Number 9900-023, included in Kit. See Figure 4-3.
20. Attach the front end of the Money Box Plate to the Pan Guard Assembly using a No.8-32 x 3/8 RHS Self Tapping Screw, Part Number 9900-063, included in the Kit. See Figure 4-3.
21. Attach the lower rear edge of the Right Sidewall to the Tie Brace Base Plate Assembly using a No.8-32 x 3/8 RHS Self Tapping Screw, Part Number 9900-187, included in the Kit. See Figure 4-3.

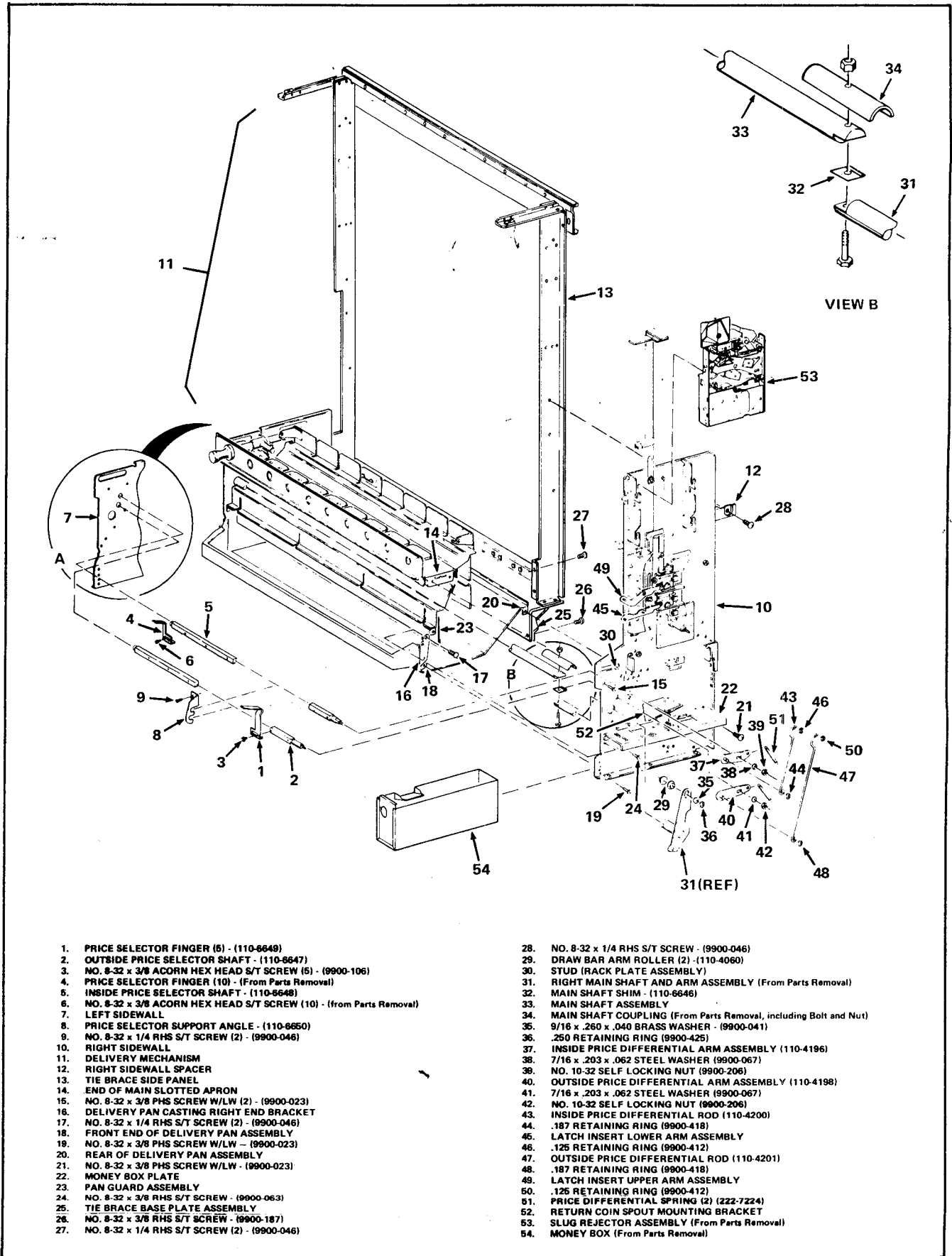


FIGURE 4-3

22. Attach the lower end of the right Tie Brace Side Panel to the Right Sidewall using two No.8-32 x 1/4 RHS Self Tapping Screws, Part Number 9900-046, included in the Kit. See Figure 4-3.
23. Attach the Right Sidewall Spacer to the middle of the Tie Brace Side Panel using a No.8-32 x 1/4 RHS Self Tapping Screw, Part Number 9900-046, included in the Kit. See Figure 4-3.

CAUTION

1. Be sure the Price Selector Shafts are in the proper holes on the Left Sidewall. See View A of Figure 4-3.
2. Check to be sure the right end of the Draw Bar is properly fit under the notched part of the Rack Plate Arm. Compare with the left end fitting of both parts. See Figure 4-4.

24. Tighten all Screws installed in Steps 15 through 23.

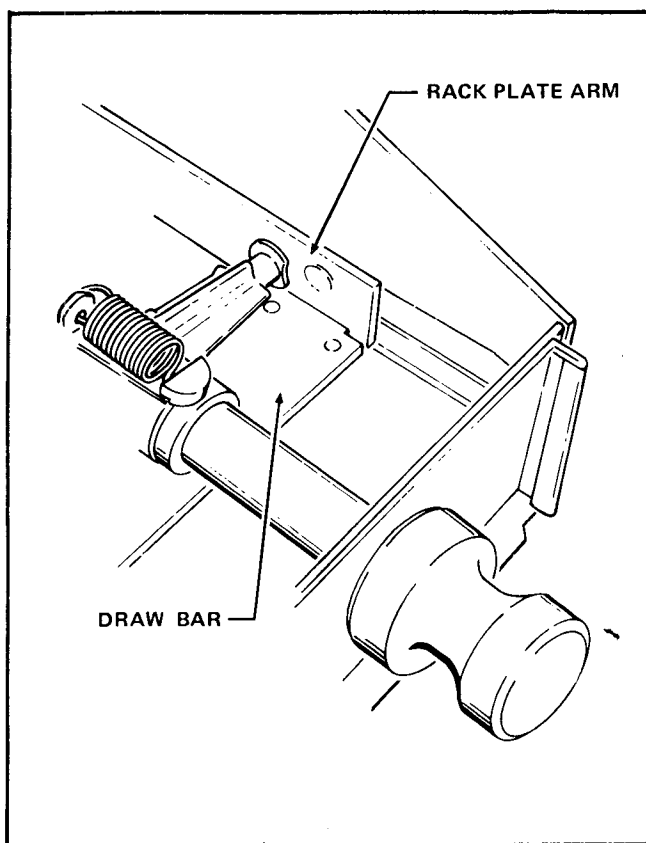


FIGURE 4-4

25. Install two Draw Bar Arm Rollers, Part Number 110-4060, included in the Kit, over the Stud on the arm of the Rack Plate Assembly, protruding through the slot in the Right Sidewall. See Figure 4-3.
26. Insert the Right Main Shaft and Arm Assembly, removed in the Parts Removal Procedure, through the hole in the Right Sidewall and fit the slotted end of the Arm Assembly over the Stud on the arm of the Rack Plate Assembly. See Figure 4-3.

NOTE

1. Be sure the Main Shaft Shim in the next step is positioned as shown in View B of Figure 4-3, with the lip facing up and toward the rear.
2. Use the Bolt, Nut, and Coupling in the next step which were removed in the Parts Removal Procedure.

27. Install the Main Shaft Bolt through the Right Main Shaft and Arm Assembly, the Main Shaft Shim, Part Number 110-6646, included in the Kit, the left Main Shaft Assembly and the Main Shaft Coupling and secure these parts with a No.10-32 Nut. See View B of Figure 4-3.

28. Attach the slotted end of the Arm of the Right Main Shaft and Arm Assembly to the Stud on the arm of the Rack Plate Assembly using a 9/16 x .260 x .040 Brass Washer, Part Number 9900-041 and a .250 Retaining Ring, Part Number 9900-425, both included in the Kit. See Figure 4-3.

29. Install the Inside Price Differential Arm Assembly, Part Number 110-4196, included in the Kit, on the shoulder of the end of the Inside Price Selector Shaft, with the stud on the Arm facing away from the Right Sidewall and toward the front; then, secure with a 7/16 x .203 x .062 Steel Washer, Part Number 9900-067, and a No.10-32 Self Locking Nut, Part Number 9900-206, both included in the Kit. See Figure 4-3.

30. Install the Outside Price Differential Arm Assembly, Part Number 110-4198, included in the Kit, on the shoulder of the end of the Outside Price Selector Shaft with the stud on the Arm facing away from the Right Sidewall and toward the front; then, secure with a 7/16 x .203 x .062 Steel Washer, Part Number 9900-067, and a No.10-32 Self Locking Nut, Part Number 9900-206, both included in the Kit. See Figure 4-3.

31. Install the straight end of the Inside Price Differential Rod, Part Number 110-4200, included in the Kit, over the stud on the Inside Price Differential Arm Assembly and attach the parts with a .187 Retaining Ring, Part Number 9900-418, included in the Kit. See Figure 4-3.
32. Install the other end of the Inside Price Differential Rod over the stud on the Latch Insert Lower Arm Assembly and attach the parts with a .125 Retaining Ring, Part Number 9900-412, included in the Kit. See Figure 4-3.
33. Install the straight end of the Outside Price Differential Rod, Part Number 110-4201, included in the Kit, over the stud on the Outside Price Differential Arm Assembly and attach the parts with a .187 Retaining Ring, Part Number 9900-418, included in the Kit. See Figure 4-3.
34. Install the other end of the Outside Price Differential Rod over the stud on the Latch Insert Upper Arm Assembly and attach the parts with a .125 Retaining Ring, Part Number 9900-412, included in the Kit. See Figure 4-3.
35. Install two Price Differential Springs, Part Number 222-7224, included in the Kit. Attach one Spring to the hole in one end of the Inside Price Differential Arm Assembly and attach the other end of the Spring to the upper hole in the Return

Coin Spout Mounting Bracket. Similarly attach the other Spring to the Outside Price Differential Arm Assembly and the lower hole in the Return Coin Spout Mounting Bracket. See Figure 4-3.

36. Install the Draw Bar Retarder, Part Number 110-8008, and Roller, Part Number 110-8009, on the Left Sidewall using a No.8-32 x 5/8 PHS Screw with Lockwasher, Part Number 9900-202 and a No.8-32 Nut with Lockwasher, Part Number 9900-081, all included in the Kit. Lubricate the Roller with Lubriplate. See View A of Figure 4-5.
37. Install a No.8-32 x 1/4 RHS Self Tapping Screw, Part Number 9900-046, included in the Kit, from the inside of the Left Sidewall so the Draw Bar Retarder Arm rests on the threads of the Screw. See View A of Figure 4-5.

NOTE

When a Pull Knob is pulled too fast, the Draw Bar Retarder Tab will lock the Left Arm Assembly preventing a "free" vend. To complete the vend cycle when this happens, pull the Pull Knob all the way out, which will release the Left Arm Assembly and allow the Pull Knob to return to the at rest position. If the Draw Bar Retarder does not satisfactorily lock the Left Arm Assembly when a Pull Knob is pulled fast, bend the Draw Bar Retarder Arm down slightly until the Draw Bar Retarder works properly. See View B of Figure 4-5.

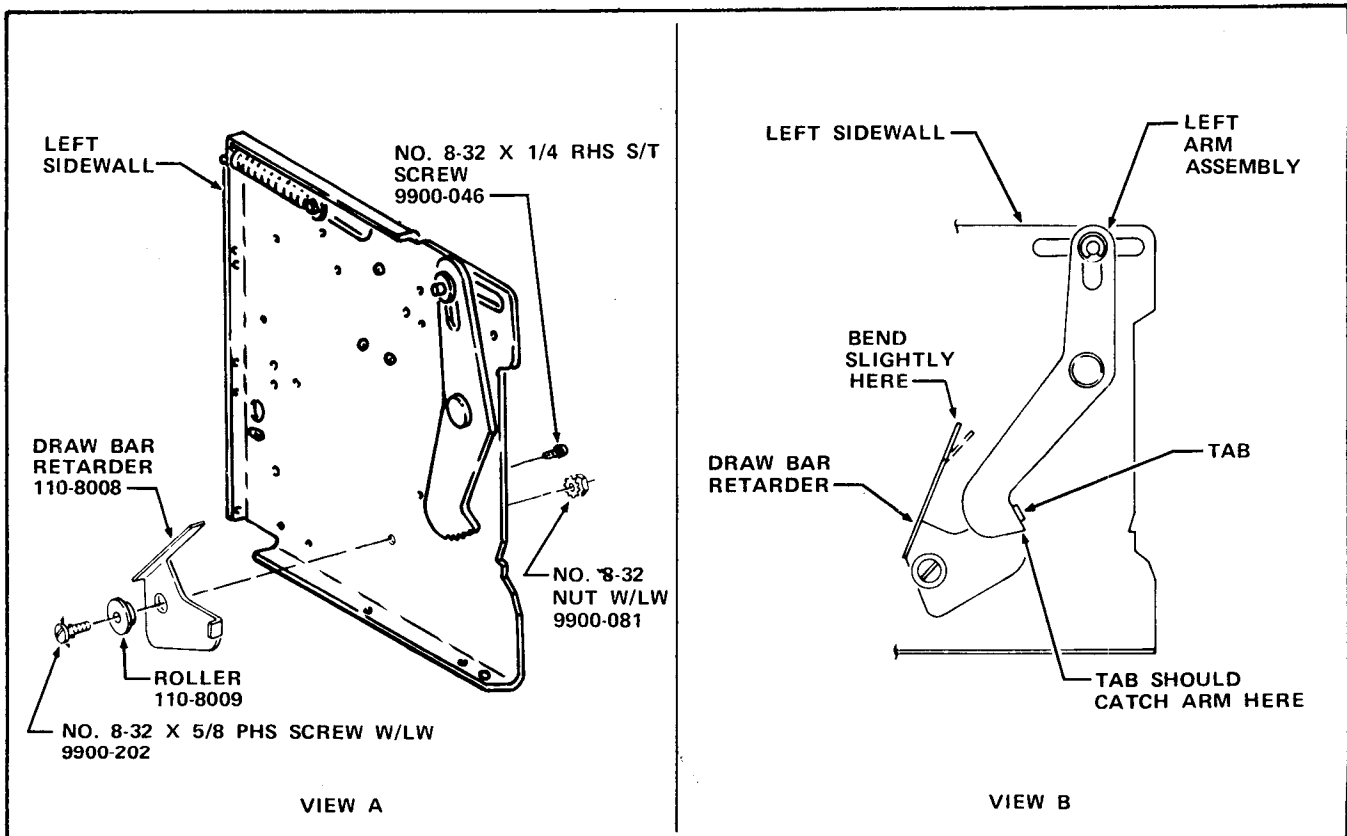


FIGURE 4-5

38. See Section VIII for proper lubrication of the Right Sidewall and the Delivery Mechanism.
39. Install the Main Shaft Extension, Part Number 110-4261, included in the Kit, on the Main Shaft of the Right Sidewall by matching the slotted end of the Main Shaft Extension with the shouldered end of the Main Shaft. See Figure 4-2.
40. Install an All Coin Manual Recorder (ACMR) on the Right Sidewall by fitting the Main Shaft of the Sidewall through the hole in the ACMR. Mount the studs on the sides of the ACMR on top of the Mounting Brackets on the Right Sidewall. See Figure 4-2.
41. Attach the top of the ACMR to the Right Sidewall with a No.8-32 x 3/8 RHS Self Tapping Screw with Lockwasher, Part Number 9900-173, included in the Kit. See Figure 4-2.
42. Install the Main Shaft End Arm, Part Number 222-4095, included in the Kit, on the Main Shaft protruding through the ACMR and attach with an End Arm Cam Washer, Part Number 5580-060, and No.10-32 Self Locking Wing Nut, Part Number 9900-039, both included in the Kit. See Figure 4-2.

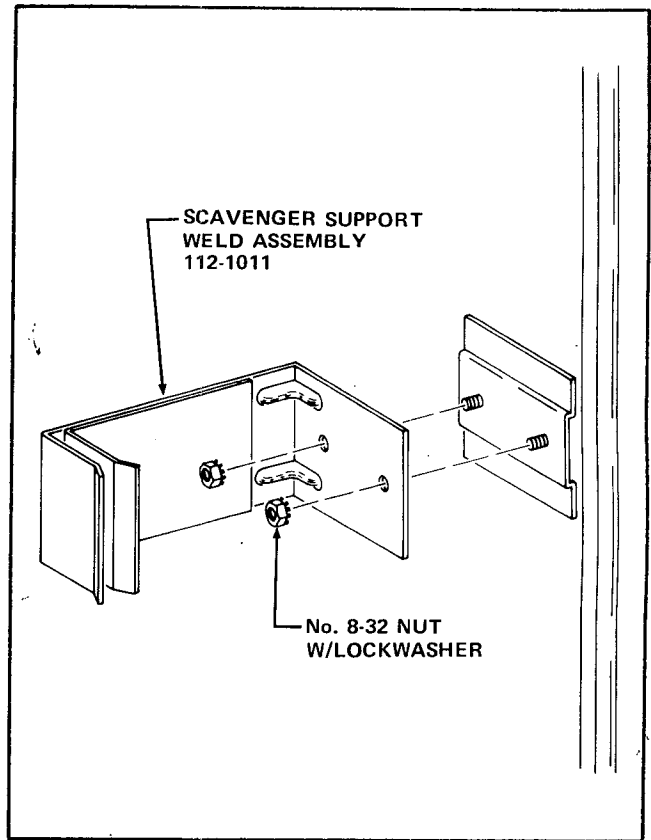


FIGURE 4-6

43. Install the Slug Rejector Assembly removed in the Parts Removal Procedure on the Right Sidewall. See Figure 4-3.
44. Remove two No.8-32 Nuts with Lockwashers and the Scavenger Support Weld Assembly from the Bracket on the right inside wall of the Cabinet. Retain the Nuts.
45. Install the Scavenger Support Weld Assembly, Part Number 112-1011, included in the Kit, on the Bracket on the right inside wall of the Cabinet using two No.8-32 Nuts with Lockwashers. See Figure 4-6.
46. Remove three Screws from the Mechanism Sidewall "Z" Section in the lower right corner of the Merchandiser and install the Mechanism Sidewall "Z" Section, Part Number 110-1023, included in the Kit, on top of the Mechanism Sidewall "Z" Section already in the Merchandiser. Attach using three No.8-32 x 1/2 RHS Self Tapping Screws, Part Number 9900-156, included in the Kit. See Figure 4-7.

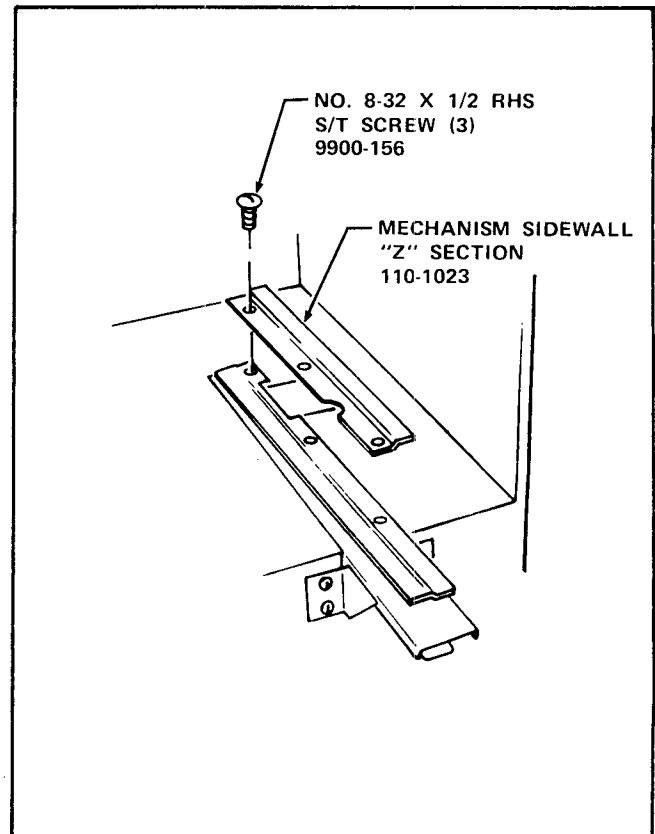


FIGURE 4-7

47. Remove the Price Setting Instructions Label and any information pertaining to the Sliding Coin Chute.
48. Position the Coin Block Plate, located on the inside of the Door behind the slot in the Coin Insert Casting, so the Merchandiser will accept nickels, dimes, and quarters.

WARNING

The Delivery Mechanism is a HEAVY unit. More than one person will be required to install the Delivery Mechanism in the Cabinet.

49. Install the Delivery Mechanism in the Cabinet.
50. Install all Magazine Columns in the Delivery Mechanism.
51. If the Merchandiser is equipped with a Gum and Mint Mechanism, install the Gum and Mint Magazine in the Delivery Mechanism.

52. Install the Money Box. See Figure 4-3.

CAUTION

In some cases the Scavenger Bar Assembly will have to be adjusted to ensure proper closure of the Door and proper operation of the Coin Return.

53. Close the Cabinet Door.

SECTION V - CM MODULINE (64 INCH) MERCHANDISERS

PARTS LIST

Part Number	Description	Quantity	Part Number	Description	Quantity
9900-041	9/16 x .260 x .040 Brass Washer	2	110-8008	Draw Bar Retarder	1
9900-425	.250 Retaining Ring * * *	2	110-8009	Roller	1
222-4093	Scavenger Bar Roller Guide	2	9900-081	attaching parts No.8-32 Nut W/LW	1
114-4009	Scavenger Bar Assembly	1	9900-202	No.8-32 x 5/8 PHS Screw W/LW	1
	attaching parts		9900-046	No.8-32 x 1/4 RHS S/T Screw	1
220-4093	Scavenger Bar Washer	2	* * *		
9900-418	.187 Retaining Ring * * *	2	114-4008	Money Box Runner	1
				attaching parts	
9900-412	.125 Retaining Ring * * *	2	9900-187	No.8-32 x 3/8 RHS S/T Screw	3
			* * *		
110-6649	Price Selector Finger	5	222-4095	Main Shaft End Arm	1
110-6647	Outside Price Selector Shaft	1	222-6511	Main Shaft End Washer	1
	attaching parts		9900-039	No.10-32 Self Locking Wing	
9900-106	No.8-32 x 3/8 Acorn Hex Hd.	5		Nut	1
	S/T Screw		9900-173	No.8-32 x 3/8 RHS S/T Screw	
	* * *			W/LW	1
110-6648	Inside Price Selector Shaft	1		* * *	
110-6650	Price Selector Support Angle	1			
	attaching part				
9900-046	No.8-32 x 1/4 RHS S/T Screw	2			
	* * *				
110-4261	Main Shaft Extension	1			
	* * *				
112-4501	Right Sidewall Final Assembly	1			
	attaching parts				
9900-023	No.8-32 x 3/8 PHS Screws W/LW	4			
9900-046	No.8-32 x 1/4 RHS S/T Screw	4			
9900-202	No.8-32 x 5/8 PHS Screw W/LW	1			
9900-081	No.8-32 Nut W/LW	1			
9900-187	No.8-32 x 3/8 RHS S/T Screw	5			
	* * *				
110-4060	Draw Bar Arm Roller	2			
	* * *				
110-6646	Main Shaft Shim	1			
	* * *				
9900-041	9/16 x .260 x .040 Brass Washer	1			
9900-425	.250 Retaining Ring	1			
	* * *				
110-4196	Inside Price Differential Arm	1			
	Assembly				
110-4198	Outside Price Differential Arm	1			
	Assembly				
	attaching parts				
9900-067	7/16 x .203 x .062 Steel Washer	2			
9900-206	No.10-32 Self Locking Nut	2			
	* * *				
110-4200	Inside Price Differential Rod	1			
110-4201	Outside Price Differential Rod	1			
	attaching parts				
9900-418	.187 Retaining Ring	2			
9900-412	.125 Retaining Ring	2			
	* * *				
222-7224	Price Differential Spring	2			
	* * *				

TO INSTALL THE KIT

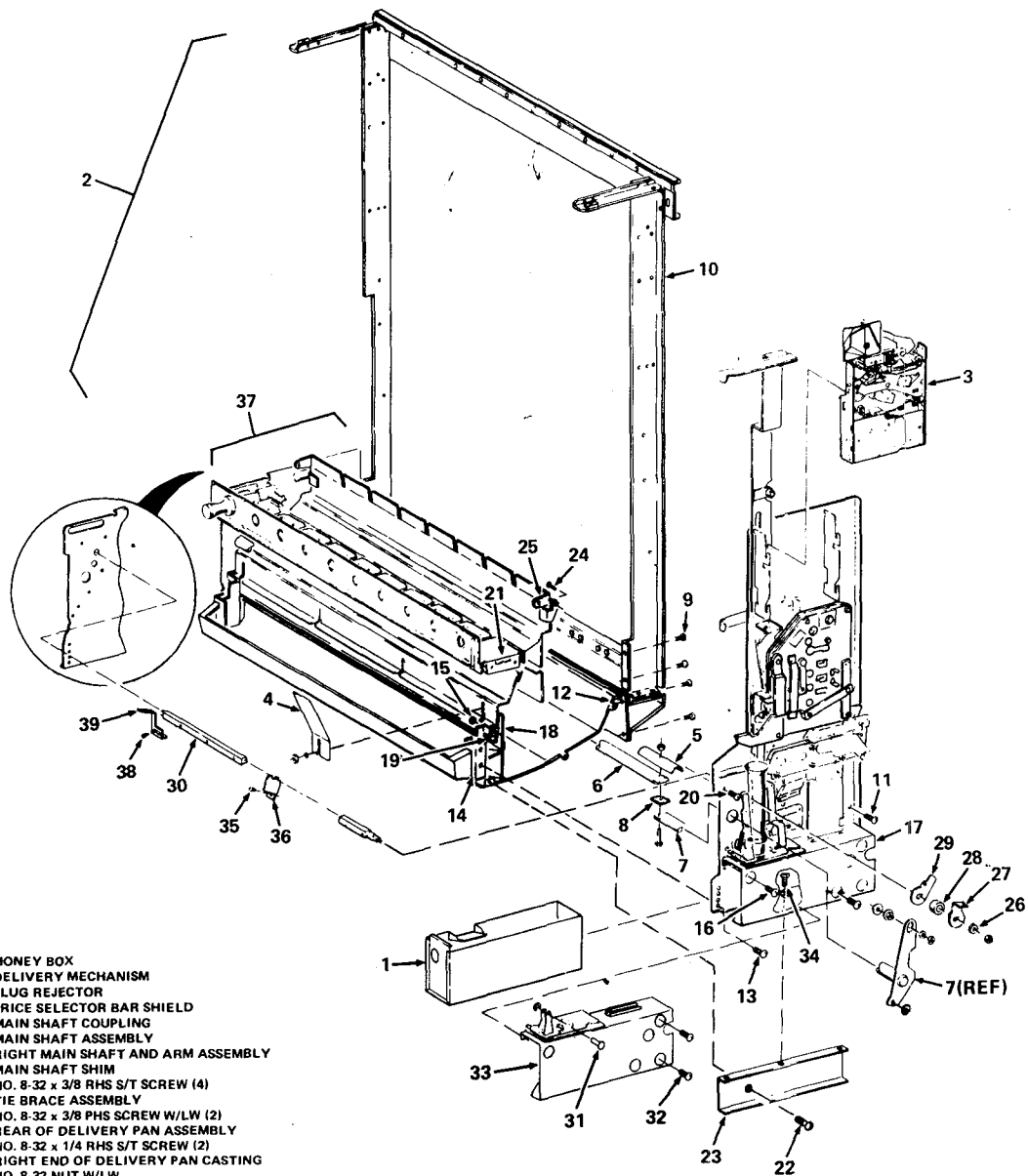
A. PARTS REMOVAL

1. Unplug the Merchandiser electrical Service Cord from the wall receptacle.
2. Open the Door as wide as allowed by the Door Check Arm.
3. Set the Door Holder Leg.
4. Remove the Money Box from the Merchandiser. See Figure 5-1.
5. Remove all Merchandise from the Magazine Columns.
6. If the Merchandiser is equipped with a Gum and Mint Mechanism, remove the Gum and Mint Magazine.

NOTE

National Vendors suggests that to facilitate the proper reinstallation of the Delivery Mechanism and Magazine Columns, small coin-envelopes or bags be used to store small parts and attaching hardware. Label each envelope or bag with specific location information.

7. Remove all Magazine Columns.



1. MONEY BOX
2. DELIVERY MECHANISM
3. SLUG REJECTOR
4. PRICE SELECTOR BAR SHIELD
5. MAIN SHAFT COUPLING
6. MAIN SHAFT ASSEMBLY
7. RIGHT MAIN SHAFT AND ARM ASSEMBLY
8. MAIN SHAFT SHIM
9. NO. 8-32 x 3/8 RHS S/T SCREW (4)
10. TIE BRACE ASSEMBLY
11. NO. 8-32 x 3/8 PHS SCREW W/LW (2)
12. REAR OF DELIVERY PAN ASSEMBLY
13. NO. 8-32 x 1/4 RHS S/T SCREW (2)
14. RIGHT END OF DELIVERY PAN CASTING
15. NO. 8-32 NUT W/LW
16. NO. 8-32 x 5/8 PHS SCREW W/LW
17. COIN BOX HOUSING
18. PAN GUARD ASSEMBLY
19. RIGHT END PLATE DELIVERY
20. NO. 8-32 x 3/8 PHS SCREW W/LW (2)
21. END OF MAIN SLOTTED APRON
22. NO. 8-32 x 3/8 RHS S/T SCREW
23. SIDEWALL EXTENSION
24. NO. 8-32 1/4 RHS S/T SCREW
25. RIGHT END OF APRON SHIELD ASSEMBLY
26. SELECTOR BAR SHAFT WASHER
27. COIN STACK LOCK CAM
28. PRICE SHAFT CAM SPACER
29. PRICE DIFFERENTIAL CAM
30. PRICE SELECTOR SHAFT
31. PIVOT STUD
32. NO. 8-32 x 3/8 PHS SCREW W/LW (2)
33. COIN BOX HOUSING AND EJECTOR PLATE ASSEMBLY
34. NO. 8-32 x 3/8 RHS T/C SCREW (3)
35. NO. 8-32 x 1/4 RHS S/T SCREW (2)
36. PRICE SELECTOR SUPPORT ANGLE
37. DRAW MECHANISM
38. NO. 8-32 x 3/8 ACRON HEX HD. SCREW (10)
39. PRICE SELECTOR FINGER (10)

FIGURE 5-1

WARNING

The Delivery Mechanism is a HEAVY Unit. More than one person will be required to remove the Delivery Mechanism from the Merchandiser.

8. Remove the Delivery Mechanism from the Cabinet and lay on a suitable workbench. See Figure 5-1.
9. Remove the Slug Rejector Assembly from the Right Sidewall. Retain the Slug Rejector Assembly for use on the replacement Right Sidewall and ACMR Assembly. See Figure 5-1.
10. Loosen a No.8-32 Nut with Lockwasher and remove the Price Selector Bar Shield from the Pan Guard Assembly. Tighten the Nut. See Figure 5-1.
11. Remove a No.10-32 Nut, Main Shaft Bolt and Main Shaft Coupling from the left Main Shaft Assembly and Right Main Shaft and Arm Assembly of the Delivery Mechanism. Retain the No.10-32 Nut, Main Shaft Bolt, and Main Shaft Coupling for use during installation of the Kit. See Figure 5-1.
12. Remove the Main Shaft Shim from between the left Main Shaft Assembly and Right Main Shaft and Arm Assembly. See Figure 5-1.
13. Remove four No.8-32 x 3/8 RHS Self Tapping Screws attaching the Tie Brace Assembly to the lower rear part of the Right Sidewall. See Figure 5-1.
14. Remove two No.8-32 x 3/8 PHS Screws with Lockwashers attaching the Right Sidewall to the Angle Brackets on the rear of the Delivery Pan Assembly. See Figure 5-1.
15. Remove two No.8-32 x 1/4 RHS Self Tapping Screws attaching the Bracket on the right end of the Delivery Pan Casting to the front edge of the Right Sidewall. See Figure 5-1.
16. Remove a No.8-32 Nut with Lockwasher and No.8-32 x 5/8 PHS Screw with Lockwasher attaching the Coin Box Housing and front of the Right Sidewall to the Pan Guard Assembly and the Right End Plate Delivery. See Figure 5-1.
17. Remove two No.8-32 x 3/8 PHS Screws with Lockwashers attaching the Right Sidewall to the end of the Main Slotted Apron. See Figure 5-1.
18. Remove a No.8-32 x 3/8 RHS Self Tapping Screw attaching the Sidewall Extension to the front part of the Delivery Pan Assembly. See Figure 5-1.
19. Remove a No.8-32 x 1/4 RHS Self Tapping Screw attaching the inside of the Right Sidewall to the right end of the Apron Shield Assembly. See Figure 5-1.
20. Remove a No.10-32 Nut, Selector Bar Shaft Washer, Coin Stack Lock Cam, Price Shaft Cam Spacer and Price Differential Cam from the Price Selector Shaft. See Figure 5-1.
21. Remove the Right Sidewall Assembly from the Delivery Mechanism. See Figure 5-1.
22. Remove two Retaining Rings, a Washer, and the Right Main Shaft and Arm Assembly from the Right Sidewall. Retain the Right Main Shaft and Arm Assembly for use on the replacement Right Sidewall Final Assembly. See Figure 5-1.
23. Remove two Retaining Rings, two Washers, and Lock Release Bar from the Right Sidewall. Retain the Lock Release Bar for use on the replacement Right Sidewall Final Assembly. See Figure 5-2.
24. Remove two No.8-32 Nuts with Lockwashers, two Spacer Rollers, two No.8-32 x 5/8 RHS Screws and the Right Sidewall Spacer from the Right Sidewall. Retain the Right Sidewall Spacer for use on the replacement Right Sidewall Final Assembly. See Figure 5-2.

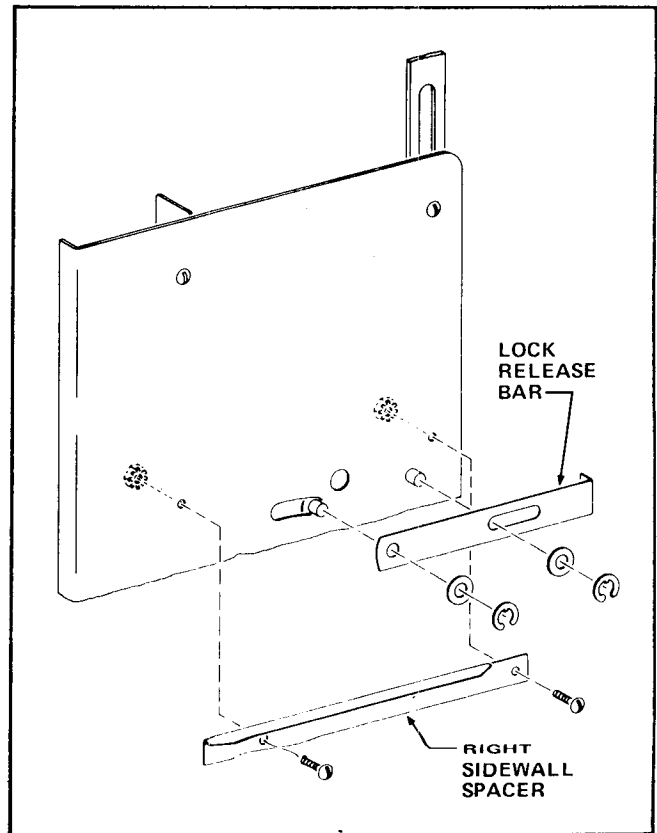


FIGURE 5-2

25. Remove a .125 Retaining Ring, Pivot Stud, two No.8-32 Nuts with Lockwashers, two No.8-32 x 3/8 PHS Screws with Lockwashers, and the Coin Box Housing and Ejector Plate Assembly from the Right Sidewall. See Figure 5-1.
 26. Remove three No.8-32 x 3/8 RHS Thread Cutting Screws and the Sidewall Extension from the Right Sidewall. Retain the Sidewall Extension for use on the replacement Right Sidewall Final Assembly. See Figure 5-1. B-6
 27. Remove two No.8-32 x 1/4 RHS Self Tapping Screws and Price Selector Support Angle from the Pan Guard Assembly. See Figure 5-1.
 28. Remove the Price Selector Shaft from the Draw Mechanism. See Figure 5-1.
 29. Remove ten No.8-32 x 3/8 Acorn Hex Head Screws and ten Price Selector Fingers from the Price Selector Shaft. Retain the Screws and Price Selector Fingers for use in installing the Kit. See Figure 5-1.
 30. Thoroughly clean the Draw Mechanism. See Figure 5-1.
- B. INSTALLATION OF THE KIT**
3. Remove two No.8-32 Nuts with Lockwashers, two Spacer Rollers, two No.8-32 x 5/8 RHS Screws and the Right Sidewall Spacer from the Right Sidewall. Retain the attaching hardware. See Figure 5-3.
 4. Install the Right Sidewall Spacer removed in the Parts Removal Procedure on the Right Sidewall and attach with the flange positioned on top using the hardware removed in the preceding step. See Figure 5-3.
 5. Remove a Retaining Ring and the Latch Insert Upper Arm Assembly from the Right Sidewall. Retain the Arm Assembly. See Figure 5-3.
 6. Remove a Retaining Ring and the Latch Insert Lower Arm Assembly from the Right Sidewall. Retain the Arm Assembly. See Figure 5-3.
 7. Remove the end of the Scavenger Bar Spring attached to the Scavenger Bar on the Right Sidewall. See Figure 5-3.
 8. Remove two Retaining Rings, two Scavenger Bar Washers, Scavenger Bar Assembly and two Scavenger Bar Roller Guides from the Right Sidewall. See Figure 5-3.
 9. Install two Scavenger Bar Roller Guides, Part Number 222-4093, included in the Kit, on two studs of the replacement Right Sidewall. Make sure the wide end of the Roller Guides rest against the Sidewall. See Figure 5-3.

NOTE

Steps 1 through 14 cover preparing the replacement Right Sidewall Final Assembly Part Number 112-4501, included in the Kit, for use on the Moduline Merchandiser.

1. Remove two Retaining Rings, two Washers, and the Lock Release Bar from the Right Sidewall. See Figure 5-3.
2. Install the Lock Release Bar, removed in the Parts Removal Procedure, on the Right Sidewall using two 9/16 x .260 x .040 Brass Washers, Part Number 9900-041, and two .250 Retaining Rings, Part Number 9900-425, both included in the Kit. See Figure 5-3.
10. Install the Scavenger Bar Assembly, Part Number 114-4009, included in the Kit, by fitting the slots of the Scavenger Bar Assembly over the Scavenger Bar Roller Guides. Make sure the arm on top of the Scavenger Bar Assembly points towards the front of the Right Sidewall and the Scavenger Bar Guide fits under the Slug Rejector Bracket. See Figure 5-3.
11. Attach the Scavenger Bar Assembly to the Right Sidewall using two Scavenger Bar Washers, Part Number 220-4093, and two .187 Retaining Rings, Part Number 9900-418, both included in the Kit. See Figure 5-3.
12. Attach the Scavenger Bar Spring to the Hole in the Angle Arm of the Scavenger Bar Assembly. See Figure 5-3.

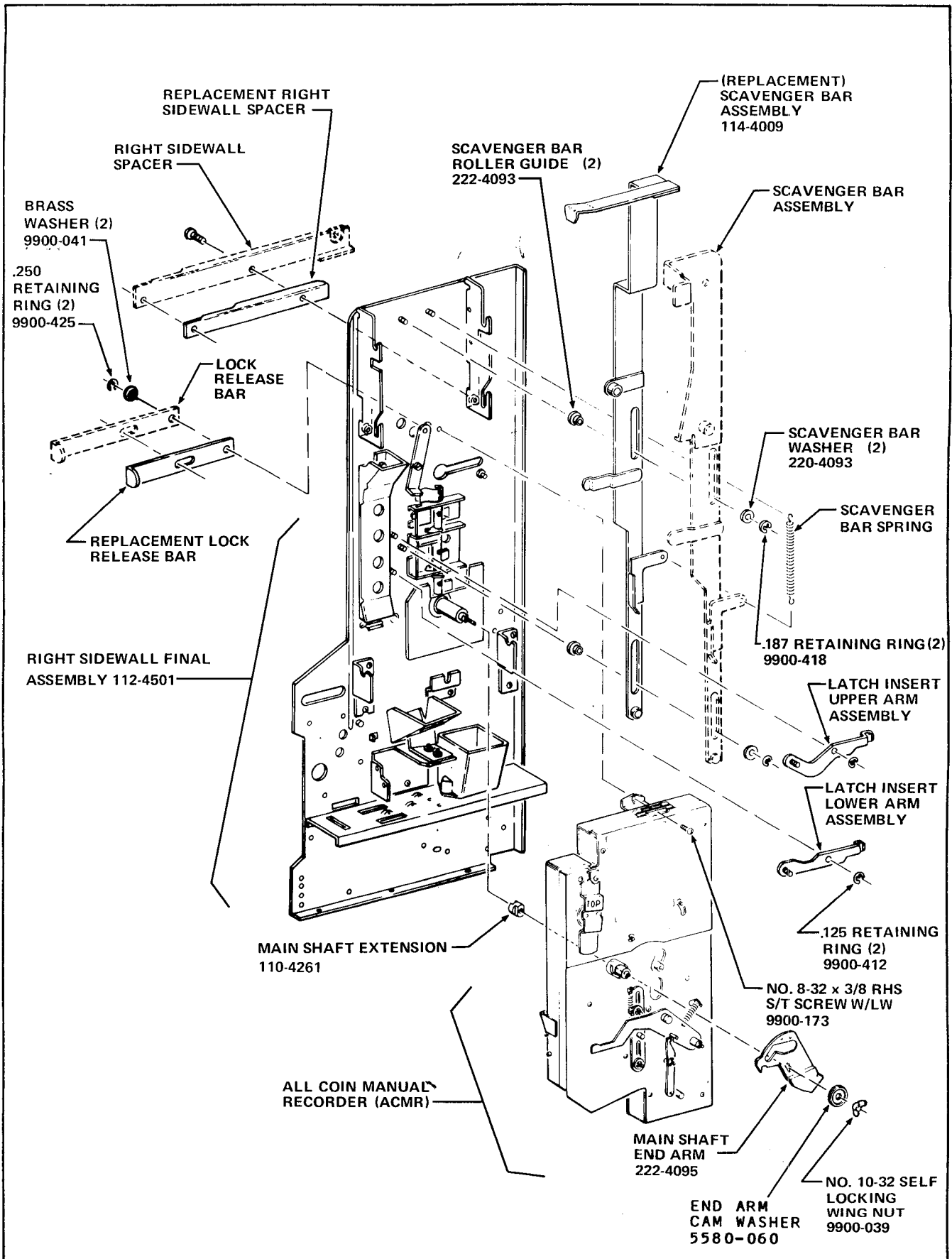


FIGURE 5-3

13. Install the Latch Insert Upper Arm Assembly removed in Step B-5 on the Right Sidewall as shown in Figure 5-3 and attach with a .125 Retaining Ring, Part Number 9900-412, included in the Kit.
14. Install the Latch Insert Lower Arm Assembly removed in Step B-6 on the replacement Right Sidewall as shown in Figure 5-3 and attach with a .125 Retaining Ring, Part Number 9900-412, included in the Kit.

NOTE

Be sure the threaded ends of both Price Selector Shafts are positioned to the right and the Price Selector Fingers are installed in the up position, as shown in Figure 5-4.

15. Install the five Price Selector Fingers, Part Number 110-6649, on the Outside Price Selector Shaft, Part Number 110-6647, using five No.8-32 x 3/8 Acorn Hex Head Self Tapping Screws, Part Number 9900-106, all included in the Kit. See Figure 5-4.
16. Install the ten Price Selector Fingers removed in the Parts Removal Procedure, on the Inside Price Selector Shaft, Part Number 110-6648, included in the Kit, using the ten No.8-32 x 3/8 Acorn Hex Head Self Tapping Screws, also retained from the Parts Removal Procedure. See Figure 5-4.
17. Install the non-threaded end of the Inside Price Selector Shaft in the top inside hole in the Left Sidewall. See View A of Figure 5-4.
18. Install the non-threaded end of the Outside Price Selector Shaft in the lower outside hole in the Left Sidewall. See View A of Figure 5-4.

NOTE

Do not tighten Screws in Steps 19 through 26 until Step 26 is completed.

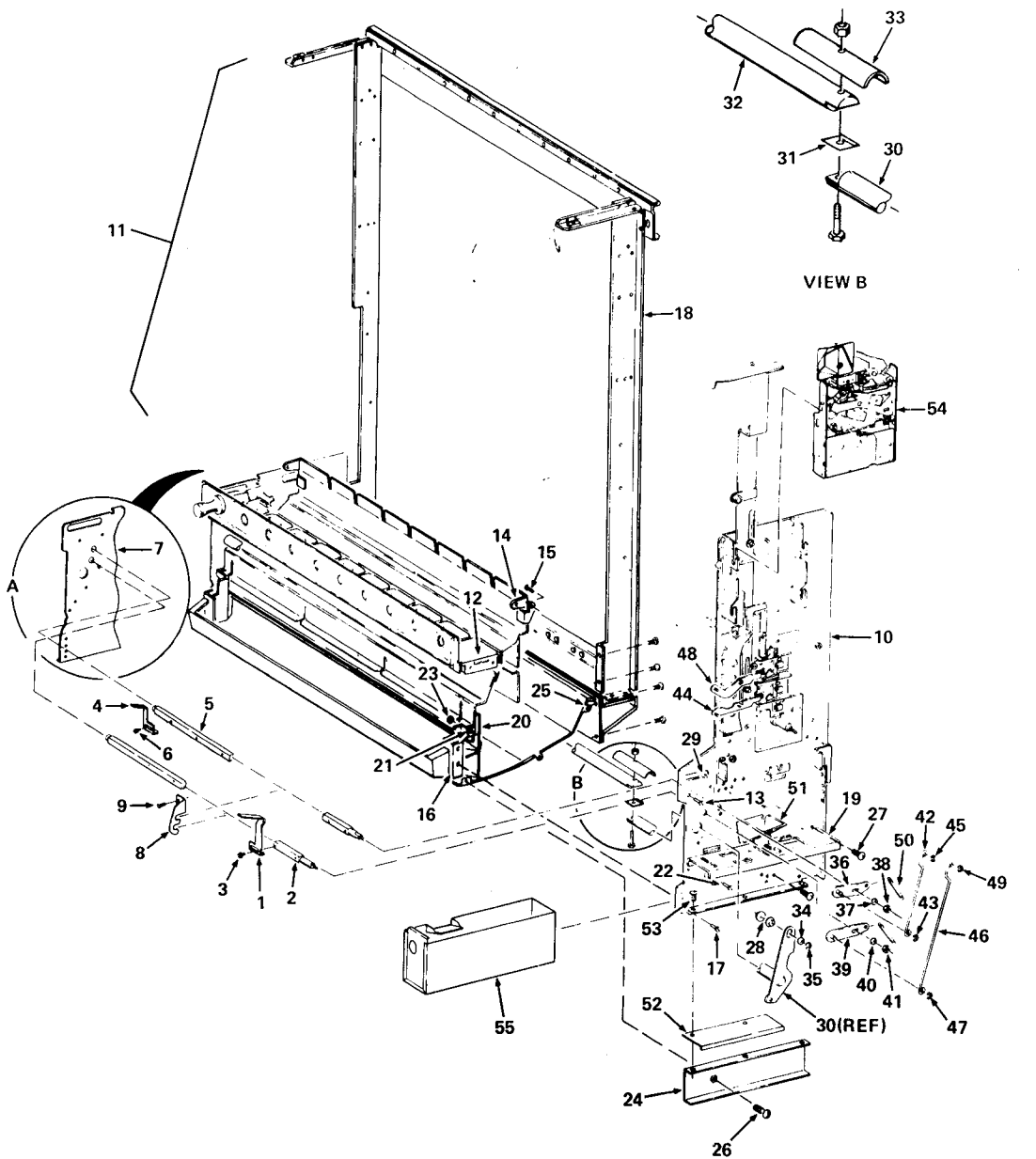
19. Install the Price Selector Support Angle, Part Number 110-6650, on the Pan Guard Assembly, fitting the two notches of the Angle around the two Price Selector Shafts, and attach the Angle to the Pan Guard Assembly using two No.8-32 x 1/4 RHS Self Tapping Screws, Part Number 9900-046, all included in the Kit. See Figure 5-4.
20. Install the Right Sidewall on the Delivery Mechanism by first fitting the two holes in the Right Sidewall over the threaded ends of the two Price Selector Shafts. See Figure 5-4. Attach the Right Sidewall to the end of the Main Slotted Apron using two No.8-32 x 3/8 PHS Screws with Lockwashers, Part Number 9900-023, included in the Kit. See Figure 5-4.

21. Attach the right end of the Apron Shield Assembly to the inside of the Right Sidewall using a No.8-32 x 1/4 RHS Self Tapping Screw, Part Number 9900-046, included in the Kit. See Figure 5-4.
22. Attach the front edge of the Right Sidewall to the Bracket on the right end of the Delivery Pan Casting using two No.8-32 x 1/4 RHS Self Tapping Screws, Part Number 9900-046, included in the Kit. See Figure 5-4.
23. Attach the Tie Brace Assembly to the rear of the Right Sidewall using four No.8-32 x 3/8 RHS Self Tapping Screws, Part Number 9900-187, included in the Kit. See Figure 5-4.
24. Attach the front end of the Money Box Plate and Right Sidewall to the Pan Guard Assembly and Right End Plate Delivery using a No.8-32 x 5/8 PHS Screw with Lockwasher, Part Number 9900-202, and No.8-32 Nut with Lockwasher, Part Number 9900-081, both included in the Kit. See Figure 5-4.
25. Attach the Sidewall Extension to the front part of the Delivery Pan Assembly using a No.8-32 x 3/8 RHS Self Tapping Screw, Part Number 9900-187, included in the Kit. See Figure 5-4.
26. Attach the Right Sidewall to the rear part of the Delivery Pan Assembly using two No.8-32 x 3/8 PHS Screws with Lockwashers, Part Number 9900-023, included in the Kit. See Figure 5-4.

CAUTION

1. **Be sure the Price Selector Shafts are in the proper holes on the Left Sidewall. See View A of Figure 5-4.**
 2. **Check to be sure the right end of the Draw Bar is properly fit under the notched part of the Rack Plate Arm. Compare with the left end fitting of both parts. See Figure 5-5.**
-

27. Tighten all Screws installed in Steps 19 through 26.
28. Install two Draw Bar Arm Rollers, Part Number 110-4060, included in the Kit, over the Stud on the arm of the Rack Plate Assembly, protruding through the slot in the Right Sidewall. See Figure 5-4.



- | | |
|---|--|
| <ol style="list-style-type: none"> 1. PRICE SELECTOR FINGER (5) - (110-6649) 2. OUTSIDE PRICE SELECTOR SHAFT - (110-6647) 3. NO. 8-32 x 3/8 ACORN HEX HEAD S/T SCREW (5) - (9900-106) 4. PRICE SELECTOR FINGER (10) - (From Parts Removal) 5. INSIDE PRICE SELECTOR SHAFT - (110-6648) 6. NO. 8-32 x 3/8 ACORN HEX HEAD S/T SCREW (10) - (From Parts Removal) 7. LEFT SIDEWALL 8. PRICE SELECTOR SUPPORT ANGLE - (110-6650) 9. NO. 8-32 x 1/4 RHS S/T SCREW (2) - (9900-046) 10. RIGHT SIDEWALL 11. DELIVERY MECHANISM 12. END OF MAIN SLOTTED APRON 13. NO. 8-32 x 3/8 PHS SCREW W/LW (2) - (9900-023) 14. APRON SHIELD ASSEMBLY 15. NO. 8-32 x 1/4 RHS S/T SCREW (9900-046) 16. DELIVERY PAN CASTING 17. NO. 8-32 x 1/4 RHS S/T SCREW (2) (9900-046) 18. TIE BRACE ASSEMBLY 19. MONEY BOX PLATE 20. PAN GUARD ASSEMBLY 21. RIGHT END PLATE DELIVERY 22. NO. 8-32 x 5/8 PHS SCREW W/CW (9900-202) 23. NO. 8-32 NUT W/CW (9900-081) 24. SIDEWALL EXTENSION 25. DELIVERY PAN ASSEMBLY 26. NO. 8-32 x 3/8 RHS S/T SCREW (9900-187) 27. NO. 8-32 x 3/8 PHS SCREWS W/CW (2) (9900-023) 28. DRAW BAR ARM ROLLER (2) - (110-4060) | <ol style="list-style-type: none"> 29. STUD (RACK PLATE ASSEMBLY) 30. RIGHT MAIN SHAFT AND ARM ASSEMBLY (From Parts Removal) 31. MAIN SHAFT SHIM - (110-6646) 32. MAIN SHAFT ASSEMBLY 33. MAIN SHAFT COUPLING (From Parts Removal, including Bot and Nut) 34. 9/16 x .260 x .040 BRASS WASHER - (9900-041) 35. .250 RETAINING RING (9900-425) 36. INSIDE PRICE DIFFERENTIAL ARM ASSEMBLY (110-4196) 37. 7/16 x .203 x .062 STEEL WASHER (9900-067) 38. NO. 10-32 SELF LOCKING NUT (9900-206) 39. OUTSIDE PRICE DIFFERENTIAL ARM ASSEMBLY (110-4198) 40. 7/16 x .203 x .062 STEEL WASHER (9900-067) 41. NO. 10-32 SELF LOCKING NUT (9900-206) 42. INSIDE PRICE DIFFERENTIAL ROD (110-4200) 43. .187 RETAINING RING (9900-418) 44. LATCH INSERT LOWER ARM ASSEMBLY 45. .125 RETAINING RING (9900-412) 46. OUTSIDE PRICE DIFFERENTIAL ROD (110-4201) 47. .187 RETAINING RING (9900-418) 48. LATCH INSERT UPPER ARM ASSEMBLY 49. .125 RETAINING RING (9900-412) 50. PRICE DIFFERENTIAL SPRINGS (2) (222-7224) 51. RETURN COIN SPOUT MOUNTING BRACKET 52. MONEY BOX RUNNER (114-4008) 53. NO. 8-32 x 3/8 RHS S/T SCREW (9900-187) 54. SLUG REJECTOR ASSEMBLY (From Parts Removal) 55. MONEY BOX (From Parts Removal) |
|---|--|

FIGURE 5-4

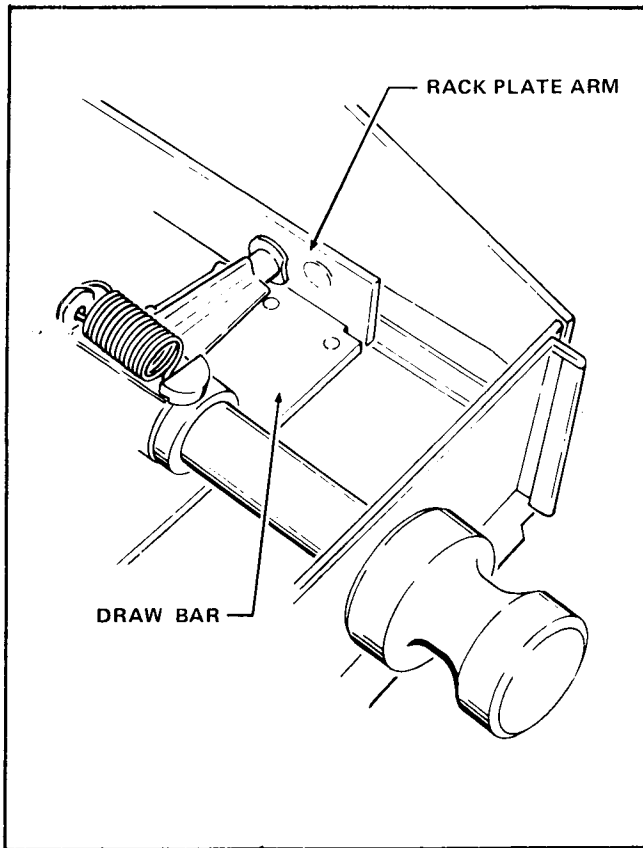


FIGURE 5-5

29. Insert the Right Main Shaft and Arm Assembly, removed in the Parts Removal Procedure, through the hole in the Right Sidewall and fit the slotted end of the Arm Assembly over the Stud on the arm of the Rack Plate Assembly. See Figure 5-4.

NOTE

1. Be sure the Main Shaft Shim in the next step is positioned as shown in View B of Figure 5-4, with the lip facing up and toward the rear.
 2. Use the Bolt, Nut, and Coupling in the next step which were removed in the Parts Removal Procedure.
30. Install the Main Shaft Bolt through the Right Main Shaft and Arm Assembly the Main Shaft Shim, Part Number 110-6646, included in the Kit, the left Main Shaft Assembly and the Main Shaft Coupling and secure these parts with a No.10-32 Nut. See View B of Figure 5-4.
 31. Attach the slotted end of the Arm of the Right Main Shaft and Arm Assembly to the Stud on the arm of the Rack Plate Assembly using a 9/16 x .260 x .040 Brass Washer, Part Number 9900-041, and a .250 Retaining Ring, Part Number 9900-425, both included in the Kit. See Figure 5-4.

32. Install the Inside Price Differential Arm Assembly, Part Number 110-4196, included in the Kit, on the shoulder of the end of the Inside Price Selector Shaft, with the stud on the Arm facing away from the Right Sidewall and toward the front; then, secure with a 7/16 x .203 x .062 Steel Washer, Part Number 9900-067, and a No.10-32 Self Locking Nut, Part Number 9900-206, both included in the Kit. See Figure 5-4.
33. Install the Outside Price Differential Arm Assembly, Part Number 110-4198, included in the Kit, on the shoulder of the end of the Outside Price Selector Shaft with the stud on the Arm facing away from the Right Sidewall and toward the front; then secure with a 7/16 x .203 x .062 Steel Washer, Part Number 9900-067 and a No.10-32 Self Locking Nut, Part Number 206, both included in the Kit. See Figure 5-4.
34. Install the straight end of the Inside Price Differential Rod, Part Number 110-4200, included in the Kit, over the stud on the Inside Price Differential Arm Assembly and attach the parts with a .187 Retaining Ring, Part Number 9900-418, included in the Kit. See Figure 5-4.
35. Install the other end of the Inside Price Differential Rod over the stud on the Latch Insert Lower Arm Assembly and attach the parts with a .125 Retaining Ring, Part Number 9900-412, included in the Kit. See Figure 5-4.
36. Install the straight end of the Outside Price Differential Rod, Part Number 110-4201, included in the Kit, over the stud on the Outside Price Differential Arm Assembly and attach the parts with a .187 Retaining Ring, Part Number 9900-418, included in the Kit. See Figure 5-4.
37. Install the other end of the Outside Price Differential Rod over the stud on the Latch Insert Upper Arm Assembly and attach the parts with a .125 Retaining Ring, Part Number 9900-412, included in the Kit. See Figure 5-4.
38. Install two Price Differential Springs, Part Number 222-7224, included in the Kit. Attach one Spring to the hole in one end of the Inside Price Differential Arm Assembly and attach the other end of the Spring to the upper hole in the Return Coin Spout Mounting Bracket. Similarly attach the other Spring to the Outside Price Differential Arm Assembly and the lower hole in the Return Coin Spout Mounting Bracket. See Figure 5-4.

39. Install the Draw Bar Retarder, Part Number 110-8008, and Roller, Part Number 110-8009, on the Left Sidewall using a No.8-32 x 5/8 PHS Screw with Lockwasher, Part Number 9900-202, and a No.8-32 Nut with Lockwasher, Part Number 9900-081, all included in the Kit. Lubricate the Roller with Lubriplate. See View A of Figure 5-6.
40. Install a No.8-32 x 1/4 RHS Self Tapping Screw, Part Number 9900-046, included in the Kit, from the inside of the Left Sidewall so the Draw Bar Retarder Arm rests on the threads of the Screw. See View A of Figure 5-6.

NOTE

When a pull knob is pulled too fast, the Draw Bar Retarder Tab will lock the Left Arm Assembly, preventing a "free" vend. To complete the vend cycle when this happens, pull the Pull Knob all the way out, which will release the Left Arm Assembly and allow the Pull Knob to return to the at rest position. If the Draw Bar Retarder does not satisfactorily lock the Left Arm Assembly when a Pull Knob is pulled fast, bend the Draw Bar Retarder Arm down slightly until the Draw Bar Retarder works properly. See View B of Figure 5-6.

41. See Section VIII for proper lubrication of the Draw Mechanism and Right Sidewall.
42. Attach the Money Box Runner, Part Number 114-4008, included in the Kit, on top of the Bottom Flange of the Right Sidewall and attach the Sidewall Extension removed in the Parts Removal Procedure underneath the Bottom Flange of the Right Sidewall using three No.8-32 x 3/8 RHS Self Tapping Screws, Part Number 9900-187, included in the Kit. See Figure 5-4.
43. Install the Main Shaft Extension, Part Number 110-4261, included in the Kit, on the Main Shaft of the Right Sidewall by mating the slotted end of the Main Shaft Extension with the shouldered end of the Main Shaft. See Figure 5-3.
44. Install an All Coin Manual Recorder (ACMR) on the Right Sidewall by fitting the Main Shaft of the Sidewall through the hole in the ACMR. Mount the studs on the sides of the ACMR on top of the Mounting Brackets on the Right Sidewall. See Figure 5-3.
45. Attach the top of the ACMR to the Right Sidewall with a No.8-32 x 3/8 RHS Self Tapping Screw with Lockwasher, Part Number 9900-173, included in the Kit. See Figure 5-3.

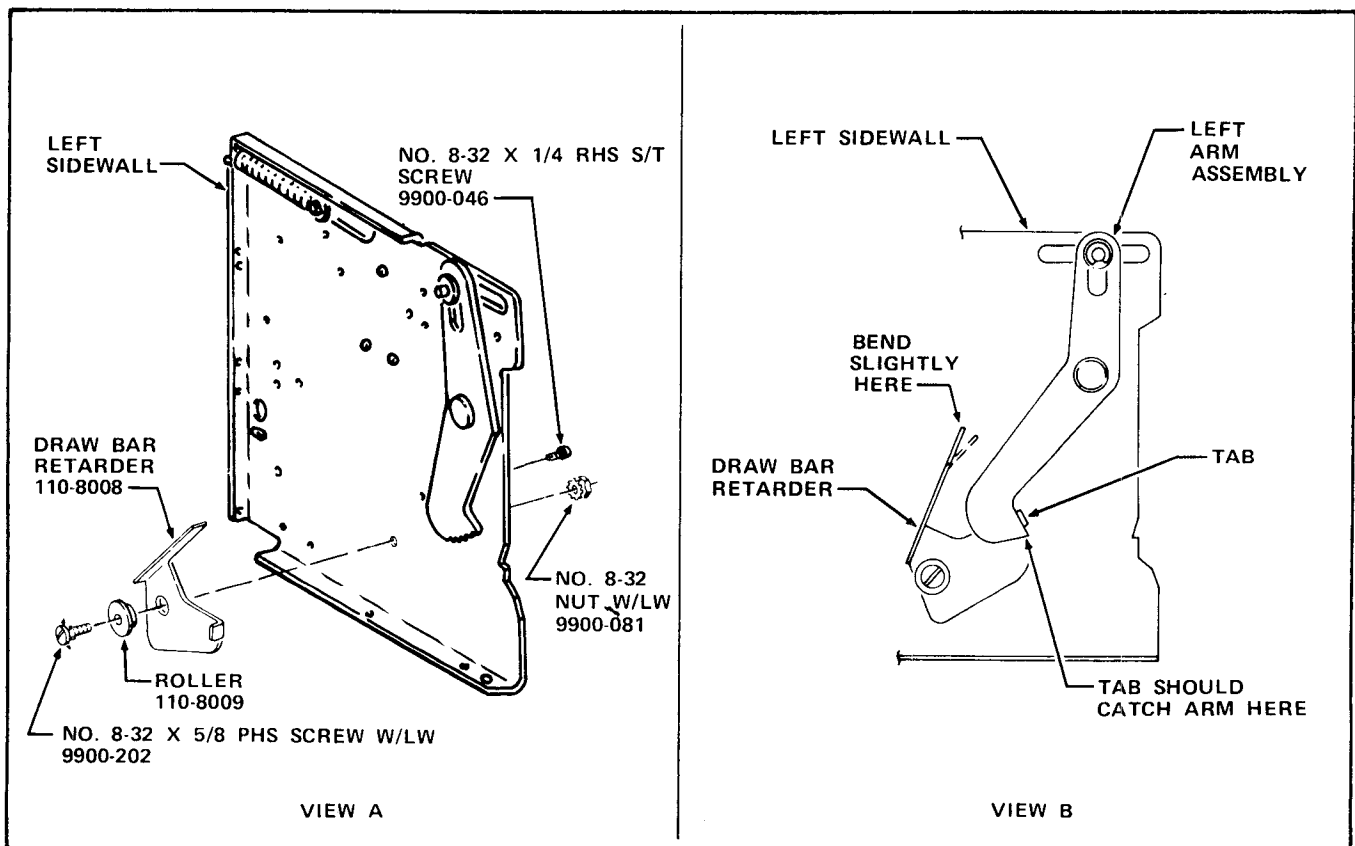


FIGURE 5-6

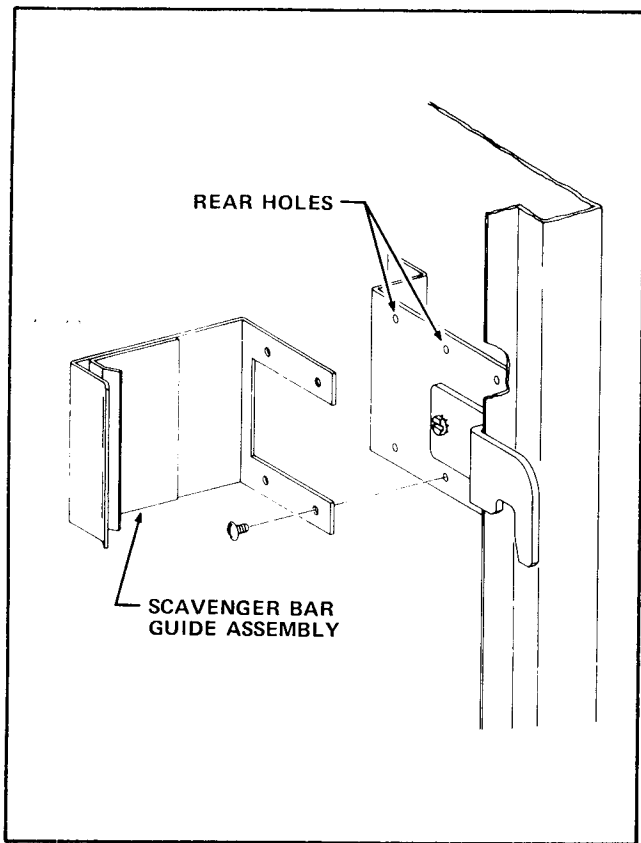


FIGURE 5-7

46. Install the Main Shaft End Arm, Part Number 222-4095, included in the Kit, on the Main Shaft protruding through the ACMR and attach with a End Arm Cam Washer, Part Number 5580-060, and No.10-32 Self Locking Wing Nut, Part Number 9900-039, both parts included in the Kit. See Figure 5-3.
47. Install the Slug Rejector Assembly removed in the Parts Removal Procedure on the Right Sidewall. See Figure 5-4.
48. Remove four Screws and the Scavenger Bar Guide Assembly from the front holes of the Bracket on the right inside wall of the Cabinet and mount the

Scavenger Bar Guide Assembly in the rear holes. See Figure 5-7.

49. Position the Coin Block Plate, located in the inside of the Door behind the slot in the Coin Insert Casting, so the Merchandiser will accept nickels, dimes, and quarters.
50. Remove the Price Setting Instructions Label and any information pertaining to the Sliding Coin Chute.

WARNING

The Delivery Mechanism is a **HEAVY** unit. More than one person will be required to install the Delivery Mechanism in the Cabinet.

51. Install the Delivery Mechanism in the Cabinet.
52. Install all Magazine Columns in the Delivery Mechanism.
53. If the Merchandiser is equipped with a Gum and Mint Mechanism, install the Gum and Mint Magazine in the Delivery Mechanism.
54. Install the Money Box. See Figure 5-4.

CAUTION

In some cases the Scavenger Bar Assembly will have to be adjusted to ensure proper closure of the Door and proper operation of the Coin Return.

55. Close the Cabinet Door.

SECTION VI - CC DELUXE CONSULINE AND 10CC DELUXE MERCHANDISERS

PARTS LIST

Part Number	Description	Quantity	Part Number	Description	Quantity
9900-041	9/16 x .260 x .040 Brass Washer	2	110-8009	Roller	1
9900-425	.250 Retaining Ring * * *	2		attaching parts	
222-4093	Scavenger Bar Roller Guides	2	9900-081	No.8-32 Nut W/LW	1
112-4023	Scavenger Bar Assembly attaching parts	1	9900-202	No.8-32 x 5/8 PHS Screw W/LW	1
220-4093	Scavenger Bar Washer	2	9900-046	No.8-32 x 1/4 RHS S/T Screw * * *	1
9900-418	.187 Retaining Ring * * *	2	112-1011	Scavenger Support Weld Assembly * * *	1
9900-412	.125 Retaining Ring * * *	2	110-1023	Mechanism Sidewall "Z" Section attaching parts	1
110-6649	Price Selector Finger	5	9900-156	No.8-32 x 1/2 RHS S/T Screw * * *	3
110-6647	Outside Price Selector Shaft attaching parts	1	222-4095	Main Shaft End Arm	1
9900-106	No.8-32 x 3/8 Acorn Hex Hd S/T Screw * * *	5	222-6511	Main Shaft End Washer	1
110-6648	Inside Price Selector Shaft	1	9900-039	No.10-32 Self Locking Wing Nut	1
110-6650	Price Selector Support Angle attaching part	1	9900-173	No.8-32 x 3/8 RHS S/T Screw W/LW * * *	1
9900-046	No.8-32 x 1/4 RHS S/T Screw * * *	2			
110-4261	Main Shaft Extension * * *	1			
112-4501	Right Sidewall Final Assembly attaching parts	1			
9900-023	No.8-32 x 3/8 PHS Screw W/LW	4			
9900-046	No.8-32 x 1/4 RHS S/T Screw	2			
9900-063	No.8-32 x 3/8 RHS S/T Screw	1			
9900-187	No.8-32 x 3/8 RHS S/T Screw * * *	4			
110-4060	Draw Bar Arm Roller * * *	2			
110-6646	Main Shaft Shim * * *	1			
9900-041	9/16 x .260 x .040 Brass Washer	1			
9900-425	.250 Retaining Ring * * *	1			
110-4196	Inside Price Differential Arm Assembly	1			
110-4198	Outside Price Differential Arm Assembly attaching parts	1			
9900-067	7/16 x .203 x .062 Steel Washer	2			
9900-206	No.10-32 Self Locking Nut * * *	2			
110-4200	Inside Price Differential Rod	1			
110-4201	Outside Price Differential Rod attaching parts	1			
9900-418	.187 Retaining Ring	2			
9900-412	.125 Retaining Ring * * *	2			
222-7224	Price Differential Spring * * *	2			
110-8008	Draw Bar Retarder	1			

TO INSTALL THE KIT

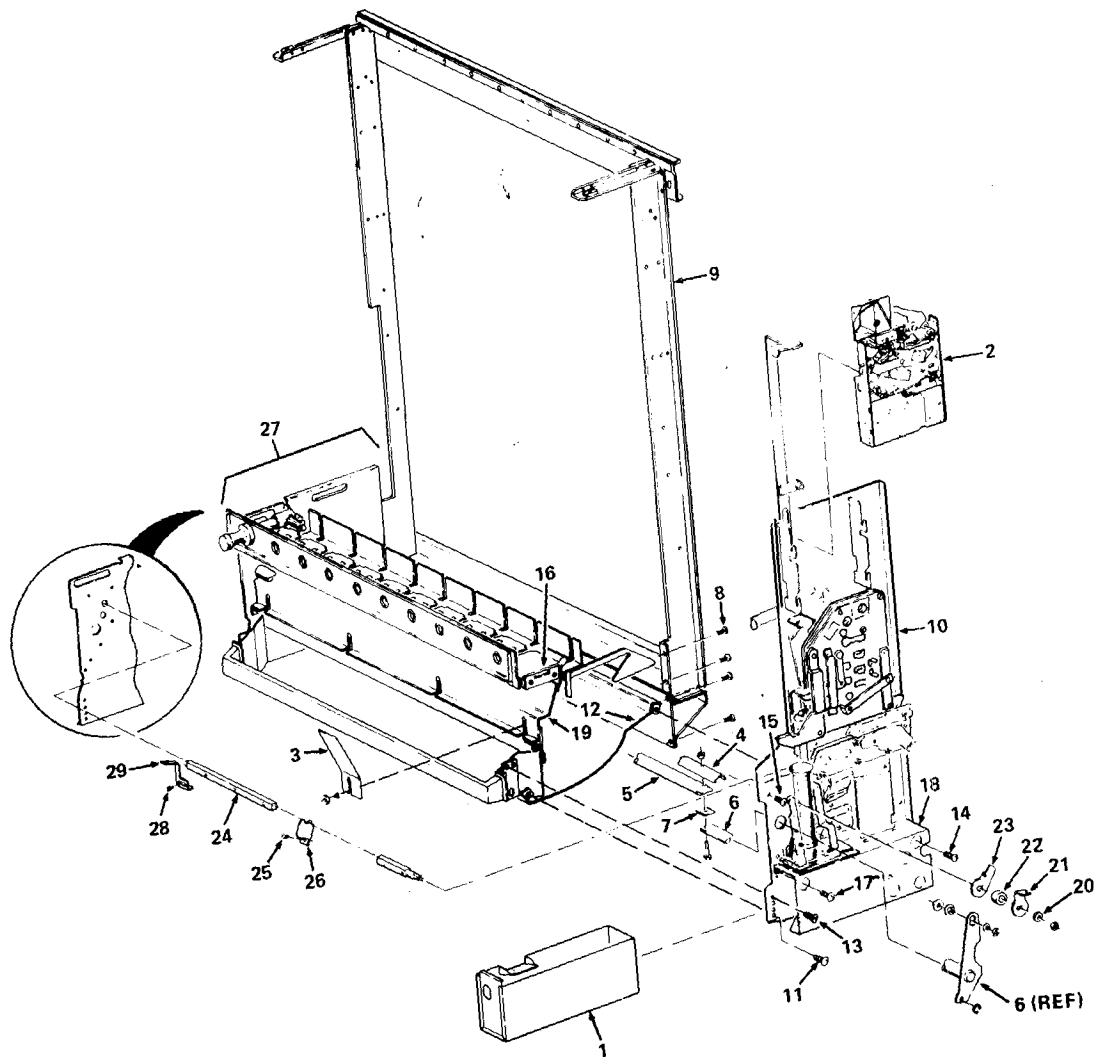
A. PARTS REMOVAL

1. Unplug the Merchandiser electrical Service Cord from the wall receptacle.
2. Open the Door as wide as allowed by the Door Check Arm.
3. Set the Door Holder Leg.
4. Remove the Money Box from the Merchandiser. See Figure 6-1.
5. Remove all Merchandise from the Magazine Columns.
6. If the Merchandiser is equipped with a Gum and Mint Mechanism, remove the Gum and Mint Magazine.

NOTE

National Vendors suggests that to facilitate the proper reinstallation of the Delivery Mechanism and Magazine Columns, small coin-envelopes or bags be used to store small parts and attaching hardware. Label each envelope or bag with specific location.

7. Remove all Magazine Columns.



1. MONEY BOX
2. SLUG REJECTOR
3. PRICE SELECTOR BAR SHIELD
4. MAIN SHAFT COUPLING
5. MAIN SHAFT ASSEMBLY
6. RIGHT MAIN SHAFT AND ARM ASSEMBLY
7. MAIN SHAFT SHIM
8. NO. 8-32 x 3/8 RHS S/T SCREW (4)
9. TIE BRACE ASSEMBLY
10. RIGHT SIDEWALL
11. NO. 8-32 x 3/8 PHS SCREW W/LW
12. DELIVERY PAN ASSEMBLY
13. NO. 8-32 x 1/4 RHS S/T SCREW (2)
14. NO. 8-32 x 3/8 PHS SCREW W/LW
15. NO. 8-32 x 3/8 PHS SCREW W/LW
16. END OF MAIN SLOTTED APRON
17. NO. 8-32 x 3/8 RHS S/T SCREW
18. COIN BOX HOUSING
19. PAN GUARD ASSEMBLY
20. SELECTOR BAR SHAFT WASHER
21. COIN STACK LOCK CAM
22. PRICE SHAFT CAM SPACER
23. PRICE DIFFERENTIAL CAM
24. PRICE SELECTOR SHAFT
25. NO. 8-32 x 1/4 RHS S/T SCREW (2)
26. PRICE SELECTOR SUPPORT ANGLE
27. DRAW MECHANISM
28. NO. 8-32 x 3/8 ACORN HEX HEAD SCREW (10)
29. PRICE SELECTOR FINGER (10)

FIGURE 6-1

WARNING

The Delivery Mechanism is a HEAVY Unit. More than one person will be required to remove the Delivery Mechanism from the Merchandiser.

8. Remove the Delivery Mechanism from the Cabinet and lay on a suitable workbench.
9. Remove the Slug Rejector Assembly from the Right Sidewall. Retain the Slug Rejector Assembly for use on the replacement Right Sidewall Final Assembly. See Figure 6-1.
10. Remove a Nut with Lockwasher, a Washer, and Price Selector Bar Shield from the Pan Guard Assembly. Replace Nut and Washer. See Figure 6-1.
11. Remove a No.10-32 Nut, Main Shaft Bolt and Main Shaft Coupling from the left Main Shaft Assembly and Right Main Shaft and Arm Assembly of the Delivery Mechanism. Retain the No.10-32 Nut, Main Shaft Bolt, and Main Shaft Coupling for use during installation of the Kit. See Figure 6-1.
12. Remove the Main Shaft Shim from between the left Main Shaft Assembly and Right Main Shaft and Arm Assembly. See Figure 6-1.
13. Remove four No.8-32 x 3/8 RHS Self Tapping Screws attaching the Tie Brace Assembly to the rear of the Right Sidewall. See Figure 6-1.
14. Remove a No.8-32 x 3/8 PHS Screw with Lockwasher attaching the front part of the Right Sidewall to the front of the Delivery Pan Assembly. See Figure 6-1.
15. Remove two No.8-32 x 1/4 RHS Self Tapping Screws attaching the Bracket on the front of the Delivery Pan Assembly to the Right Sidewall. See Figure 6-1.
16. Remove a No.8-32 x 3/8 PHS Screws with Lockwasher attaching the rear part of the Right Sidewall to the rear of the Delivery Pan Assembly. See Figure 6-1.
17. Remove two No.8-32 x 3/8 PHS Screws with Lockwashers attaching the Right Sidewall to the end of the Main Slotted Apron. See Figure 6-1.
18. Remove a No.8-32 x 3/8 RHS Self Tapping Screw attaching the Coin Box Housing and Right Sidewall to the Pan Guard Assembly. See Figure 6-1.
19. Remove a No.10-32 Nut, Selector Bar Shaft Washer, Coin Stack Lock Cam, Price Shaft Cam Spacer and Price Differential Cam from the Price Selector Shaft. See Figure 6-1.
20. Remove the Right Sidewall Assembly from the Delivery Mechanism. See Figure 6-1.
21. Remove two Retaining Rings, a Washer, and the Right Main Shaft and Arm Assembly from the Right Sidewall. Retain the Right Main Shaft and Arm Assembly for use on the replacement Right Sidewall Final Assembly. See Figure 6-1.
22. Remove two Retaining Rings, two Washers, and Lock Release Bar from the Right Sidewall. Retain the Lock Release Bar for use on the replacement Right Sidewall Final Assembly. See Figure 6-2.
23. Remove two No.8-32 Nuts with Lockwashers, two Spacer Rollers, two No.8-32 x 5/8 RHS Screws and the Right Sidewall Spacer from the Right Sidewall. Retain the Right Sidewall Spacer for use on the replacement Right Sidewall Final Assembly. See Figure 6-2.
24. Remove two No.8-32 x 1/4 RHS Self Tapping Screws and Price Selector Support Angle from the Pan Guard Assembly. See Figure 6-1.

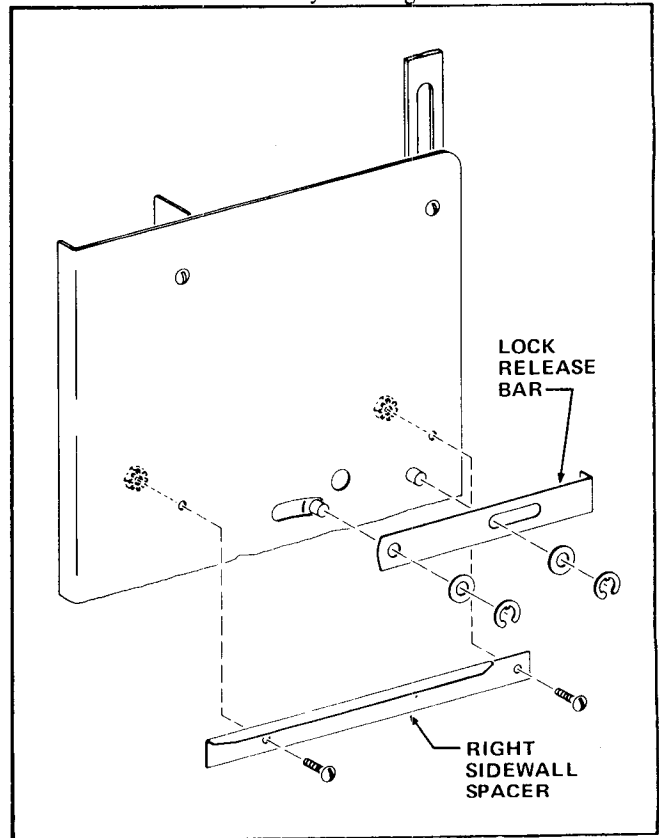


FIGURE 6-2

25. Remove the Price Selector Shaft from the Draw Mechanism. See Figure 6-1.
26. Remove ten No.8-32 x 3/8 Acorn Hex Head Screws and ten Price Selector Fingers from the Price Selector Shaft. Retain the Screws and Price Selector Fingers for use in installing the Kit. See Figure 6-1.
27. Thoroughly clean the Draw Mechanism. See Figure 6-1.

6. Remove a Retaining Ring and the Latch Insert Lower Arm Assembly from the Right Sidewall. Retain the Arm Assembly. See Figure 6-3.
7. Remove the end of the Scavenger Bar Spring attached to the Scavenger Bar on the Right Sidewall. See Figure 6-3.
8. Remove two Retain Rings, two Scavenger Bar Washers, Scavenger Bar Assembly and two Scavenger Bar Roller Guides from the Right Sidewall. See Figure 6-3.
9. Install two Scavenger Bar Roller Guides, Part Number 222-4093, included in the Kit, on two studs of the replacement Right Sidewall. Make sure the wide end of the Roller Guides rest against the Sidewall. See Figure 6-3.

B. INSTALLATION OF THE KIT

NOTE

Steps 1 through 14 cover preparing the replacement Right Sidewall Final Assembly, Part Number 112-4501, included in the Kit, for use on the Consuline Merchandiser.

1. Remove two Retaining Rings, two Washers, and the Lock Release Bar from the Right Sidewall. See Figure 6-3.
2. Install the Lock Release Bar, removed in the Parts Removal Procedure, on the Right Sidewall using two 9/16 x .260 x .040 Brass Washers, Part Number 9900-041, and two .250 Retaining Rings, Part Number 9900-425, both included in the Kit. See Figure 6-3.
3. Remove two No.8-32 Nuts with Lockwashers, two Spacer Rollers, two No.8-32 x 5/8 RHS Screws and the Right Sidewall Spacer from the Right Sidewall. Retain the attaching hardware. See Figure 6-3.
4. Install the Right Sidewall Spacer removed in the Parts Removal Procedure on the Right Sidewall and attach with the flange positioned on top using the hardware removed in the preceding step. See Figure 6-3.

10. Install the Scavenger Bar Assembly, Part Number 112-4023, included in the Kit, by fitting the slots of the Scavenger Bar Assembly over the Scavenger Bar Roller Guides. Make sure the arm on top of the Scavenger Bar Assembly points towards the front of the Right Sidewall. See Figure 6-3.
11. Attach the Scavenger Bar Assembly to the Right Sidewall using two Scavenger Bar Washers, Part Number 220-4093 and two .187 Retaining Rings, Part Number 9900-418, both included in the Kit. See Figure 6-3.
12. Attach the Scavenger Bar Spring to the Hole in the Angle Arm of the Scavenger Bar Assembly. See Figure 6-3.
13. Install the Latch Insert Upper Arm Assembly removed in Step B-5 on the Right Sidewall as shown in Figure 6-3 and attach with a .125 Retaining Ring, Part Number 9900-412, included in the Kit. See Figure 6-3.
14. Install the Latch Insert Arm Lower Assembly removed in Step B-6 on the Right Sidewall as shown in Figure 6-3 and attach with a .125 Retaining Ring, Part Number 9900-412, included in the Kit. See Figure 6-3.

NOTE

Be sure the threaded ends of both Price Selector Shafts are positioned to the right and the Price Selector Fingers are installed in the up position, as shown in Figure 6-4.

5. Remove a Retaining Ring and the Latch Insert Upper Arm Assembly from the Right Sidewall. Retain the Arm Assembly. See Figure 6-3.

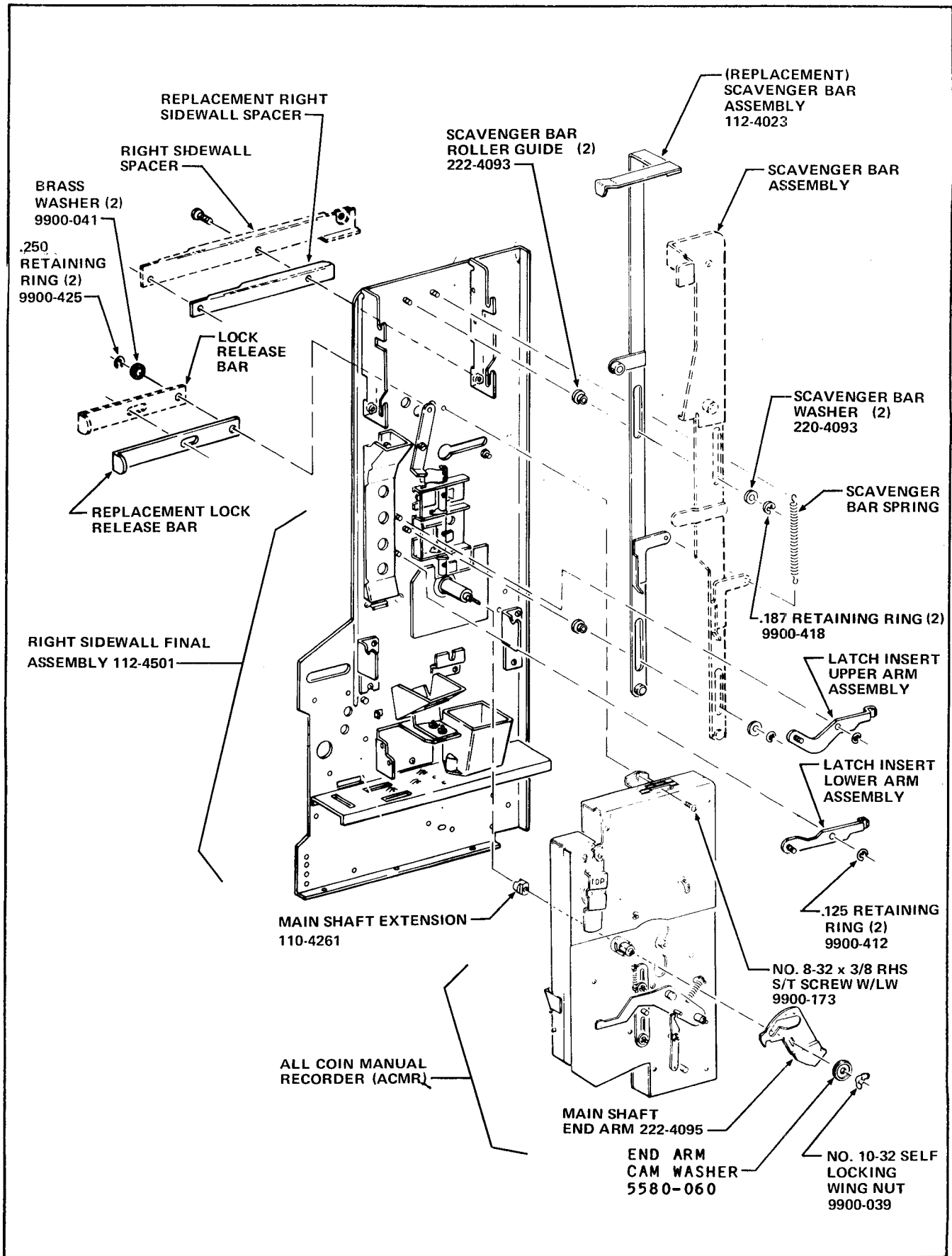
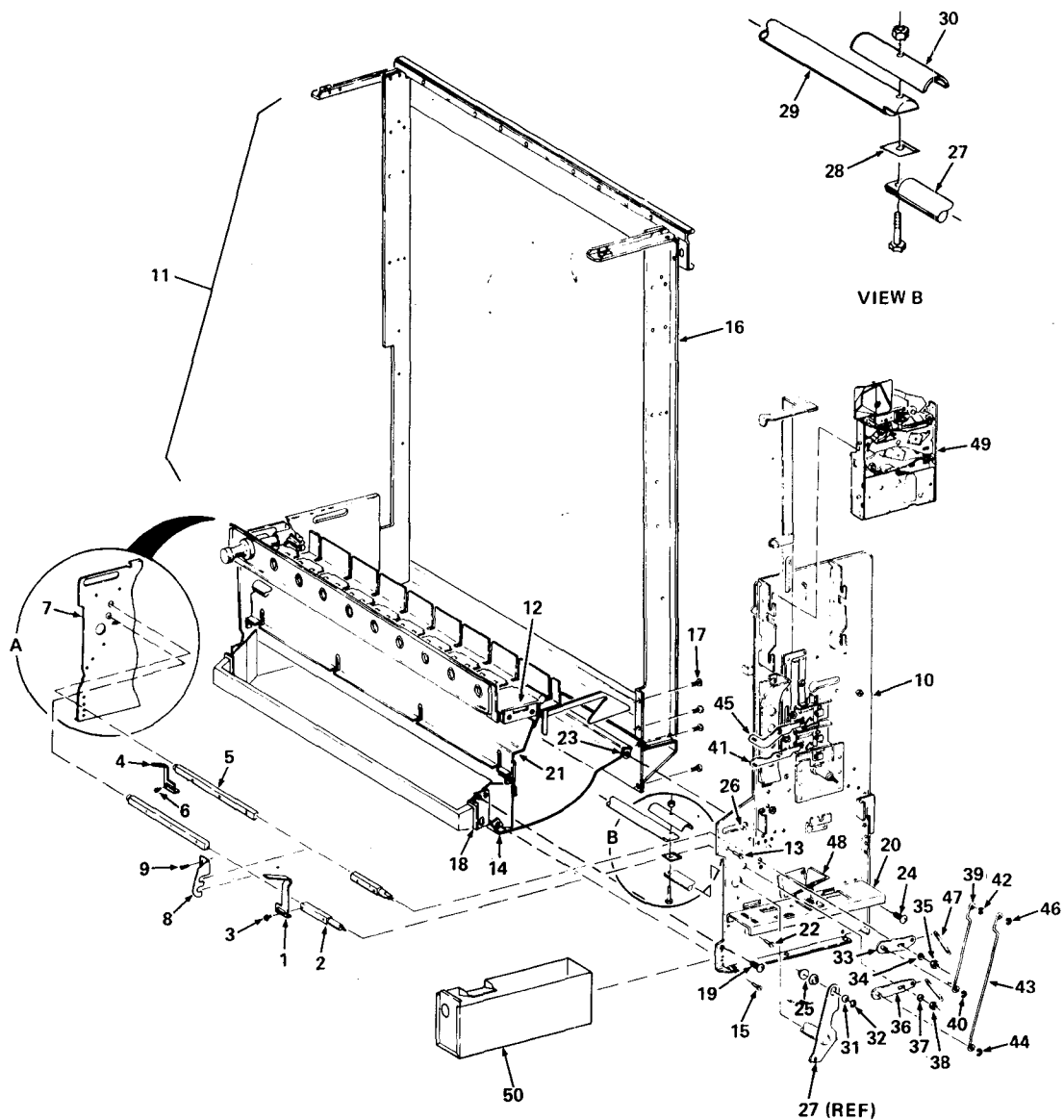


FIGURE 6-3



- | | |
|--|--|
| 1. PRICE SELECTOR FINGER (5) - (110-6649) | 26. STUD (RACK PLATE ASSEMBLY) |
| 2. OUTSIDE PRICE SELECTOR SHAFT - (110-6647) | 27. RIGHT MAIN SHAFT AND ARM ASSEMBLY (From Parts Removal) |
| 3. NO. 8-32 x 3/8 ACORN HEX HEAD S/T SCREW (5) - (9900-106) | 28. MAIN SHAFT SHIM - (110-6646) |
| 4. PRICE SELECTOR FINGER (10) - (From Parts Removal) | 29. MAIN SHAFT ASSEMBLY |
| 5. INSIDE PRICE SELECTOR SHAFT - (110-6648) | 30. MAIN SHAFT COUPLING (From Parts Removal, including Bolt and Nut) |
| 6. NO. 8-32 x 3/8 ACORN HEX HEAD S/T SCREW (10) - (from Parts Removal) | 31. 9/16 x .260 x .040 BRASS WASHER - (9900-041) |
| 7. LEFT SIDEWALL | 32. .250 RETAINING RING (9900-425) |
| 8. PRICE SELECTOR SUPPORT ANGLE - (110-6650) | 33. INSIDE PRICE DIFFERENTIAL ARM ASSEMBLY (110-4196) |
| 9. NO. 8-32 x 1/4 RHS S/T SCREW (2) - (9900-046) | 34. 8/16 x .203 x .062 STEEL WASHER (9900-067) |
| 10. RIGHT SIDEWALL | 35. NO. 10-32 SELF LOCKING NUT (9900-206) |
| 11. DELIVERY MECHANISM | 36. OUTSIDE PRICE DIFFERENTIAL ARM ASSEMBLY (110-4198) |
| 12. END OF MAIN SLOTTED APRON | 37. 7/16 x .203 x .062 STEEL WASHER (9900-067) |
| 13. NO. 8-32 x 3/8 PHS SCREW W/LW (2) - (9900-023) | 38. NO. 10-32 SELF LOCKING NUT (9900-206) |
| 14. FRONT END OF DELIVERY PAN ASSEMBLY | 39. INSIDE PRICE DIFFERENTIAL ROD (110-4200) |
| 15. NO. 8-32 x 3/8 PHS SCREW W/LW (990-023) | 40. .187 RETAINING RING (9900-418) |
| 16. TIE BRACE ASSEMBLY | 41. LATCH INSERT LOWER ARM ASSEMBLY |
| 17. NO. 8-32 x 3/8 RHS S/T SCREW (4) - (9900-187) | 42. .125 RETAINING RING (9900-412) |
| 18. DELIVERY PAN CASTING | 43. OUTSIDE PRICE DIFFERENTIAL ROD (110-4201) |
| 19. NO. 8-32 x 1/4 RHS S/T SCREW (2) - (9900-046) | 44. .187 RETAINING RING (9900-418) |
| 20. MONEY BOX PLATE | 45. LATCH INSERT UPPER ARM ASSEMBLY |
| 21. PAN GUARD ASSEMBLY | 46. .125 RETAINING RING (9900-412) |
| 22. NO. 8-32 x 3/8 RHS S/T SCREW (9900-063) | 47. PRICE DIFFERENTIAL SPRINGS (2) - (222-7224) |
| 23. REAR OF DELIVERY PAN ASSEMBLY | 48. RETURN COIN SPOUT MOUNTING BRACKET |
| 24. NO. 8-32 x 3/8 PHS SCREW W/LW (9900-023) | 49. SLUG REJECTOR ASSEMBLY (From Parts Removal) |
| 25. DRAW BAR ARM ROLLER (2) - (110-4060) | 50. MONEY BOX (From Parts Removal) |

FIGURE 6-4

15. Install the five Price Selector Fingers, Part Number 110-6649, on the Outside Price Selector Shaft. Part Number 110-6647, using five No.8-32 x 3/8 Acorn Hex Head Self Tapping Screws, Part Number 9900-106, all included in the Kit. See Figure 6-4.
16. Install the ten Price Selector Fingers removed in Parts Removal Procedure, on the Inside Price Selector Shaft, Part Number 110-6648, included in the Kit, using the ten No.8-32 x 3/8 Acorn Hex Head Self Tapping Screws, also retained from the Part Removal Procedure. See Figure 6-4.
17. Install the non-threaded end of the Inside Price Selector Shaft in the top inside hole in the Left Sidewall. See View A of Figure 6-4.
18. Install the non-threaded end of the Outside Price Selector Shaft in the lower outside hole in the Left Sidewall. See View A of Figure 6-4.

NOTE

Do not tighten Screws in Steps 19 through 25 until Step 25 is completed.

19. Install the Price Selector Support Angle, Part Number 110-6650, on the Pan Guard Assembly, fitting the two notches of the Angle around the two Price Selector Shafts, and attach the Angle to the Pan Guard Assembly using two No.8-32 x 1/4 RHS Self Tapping Screws, Part Number 9900-046, all included in the Kit. See Figure 6-4.
20. Install the Right Sidewall on the Delivery Mechanism by first fitting the two holes in the Right Sidewall over the threaded ends of the two Price Selector Shafts. Attach the Right Sidewall to the end of the Main Slotted Apron using two No.8-32 x 3/8 PHS Screws with Lockwashers, Part Number 9900-023, included in the Kit. See Figure 6-4.
21. Attach the front edge of the Right Sidewall to the front end of the Delivery Pan Assembly using a No.8-32 x 3/8 PHS Screw with Lockwasher, Part Number 9900-023, included in the Kit. See Figure 6-4.
22. Attach the rear edge of the Right Sidewall to the Tie Brace Assembly using four No.8-32 x 3/8 RHS Self Tapping Screws, Part Number 9900-187, included in the Kit. See Figure 6-4.
23. Attach the Bracket on the right end of the Delivery Pan Casting to the front of the Right Sidewall using two No.8-32 x 1/4 RHS Self Tapping Screws, Part Number 9900-046, included in the Kit. See Figure 6-4.

24. Attach the front end of the Money Box Plate to the Pan Guard Assembly using a No.8-32 x 3/8 RHS Self Tapping Screw, Part Number 9900-063, included in the Kit. See Figure 6-4.
25. Attach the Right Sidewall to the rear of the Delivery Pan Assembly using a No.8-32 x 3/8 PHS Screw with Lockwasher, Part Number 9900-023, included in the Kit. See Figure 6-4.

CAUTION

1. Be sure the Price Selector Shafts are in the proper holes on the Left Sidewall. See View A of Figure 6-4.
2. Check to be sure the right end of the Draw Bar is properly fit under the notched part of the Rack Plate Arm. Compare with the left end fitting of both parts. See Figure 6-5.

26. Tighten all Screws installed in Steps 19 through 25.
27. Install two Draw Bar Arm Rollers, Part Number 110-4060, included in the Kit, over the Stud on the arm of the Rack Plate Assembly, protruding through the slot in the Right Sidewall. See Figure 6-4.

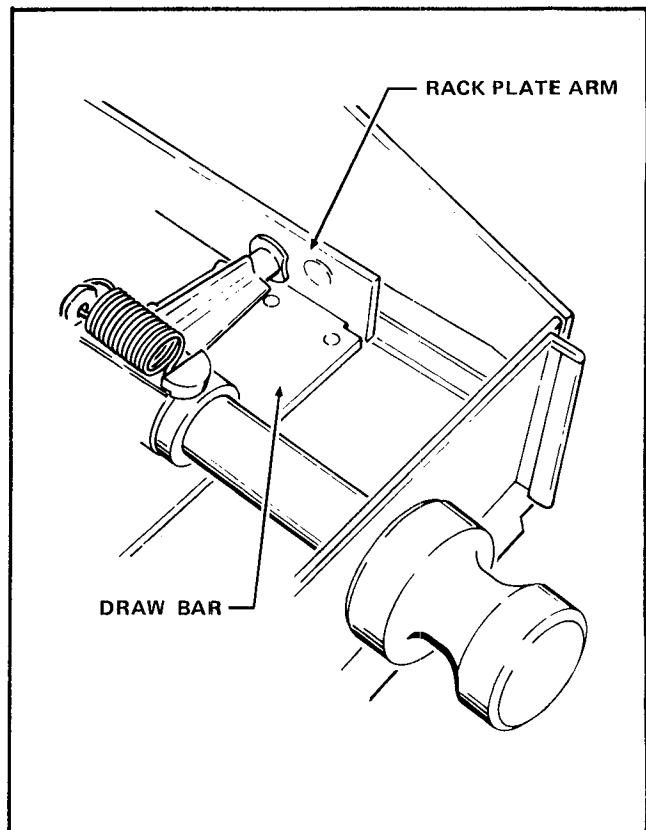


FIGURE 6-5

28. Insert the Right Main Shaft and Arm Assembly, removed in the Parts Removal Procedure, through the hole in the Right Sidewall and fit the slotted end of the Arm Assembly over the Stud on the arm of the Rack Plate Assembly. See Figure 6-4

NOTE

1. *Be sure the Main Shaft Shim in the next step is positioned as shown in View B of Figure 6-4 with the lip facing up and toward the rear.*
2. *Use the Bolt, Nut, and Coupling in the next step which were removed in the Parts Removal Procedure.*

29. Install the Main Shaft Bolt through the Right Main Shaft and Arm Assembly, the Main Shaft Shim, Part Number 110-6646, included in the kit, the left Main Shaft Assembly and the Main Shaft Coupling and secure these parts with a No.10-32 Nut. See View B of Figure 6-4.

30. Attach the slotted end of the Arm of the Right Main Shaft and Arm Assembly to the Stud on the arm of the Rack Plate Assembly using a 9/16 x .260 x .040 Brass Washer, Part Number 9900-041, and a .250 Retaining Ring, Part Number 9900-425, both included in the Kit. See Figure 6-4.

31. Install the Inside Price Differential Arm Assembly, Part Number 110-4196, included in the Kit, on the shoulder of the end of the Inside Price Selector Shaft, with the stud on the Arm facing away from the Right Sidewall and toward the front; then, secure with a 7/16 x .203 x .062 Steel Washer, Part Number 9900-067, and a No.10-32 Self Locking Nut, Part Number 9900-206, both included in the Kit. See Figure 6-4.

32. Install the Outside Price Differential Arm Assembly, Part Number 110-4198, included in the Kit, on the shoulder of the end of the Outside Price Selector Shaft with the stud on the Arm facing away from the Right Sidewall and toward the front; then, secure with a 7/16 x .203 x .062 Steel Washer, Part Number 9900-067 and a No.10-32 Self Locking Nut, Part Number 9900-206, both included in the Kit. See Figure 6-4.

33. Install the straight end of the Inside Price Differential Rod, Part Number 110-4200, included in the Kit, over the stud on the Inside Price Differential Arm Assembly and attach the parts with a .187 Retaining Ring, Part Number 9900-418, included in the Kit. See Figure 6-4.

34. Install the other end of the Inside Price Differential Rod over the stud on the Latch Insert Lower Arm Assembly and attach the parts with a .125 Retaining Ring, Part Number 9900-412, included in the Kit. See Figure 6-4.

35. Install the straight end of the Outside Price Differential Rod, Part Number 110-4201, included in the Kit, over the stud on the Outside Price Differential Arm Assembly and attach the parts with a .187 Retaining Ring, Part Number 9900-418, included in the Kit. See Figure 6-4.

36. Install the other end of the Outside Price Differential Rod over the stud on the Latch Insert Upper Arm Assembly and attach the parts with a .125 Retaining Ring, Part Number 9900-412, included in the Kit. See Figure 6-4.

37. Install two Price Differential Springs, Part Number 222-7224, included in the Kit. Attach one Spring to the hole in one end of the Inside Price Differential Arm Assembly and attach the other end of the Spring to the upper hole in the Return Coin Spout Mounting Bracket. Similarly attach the other Spring to the Outside Price Differential Arm Assembly and the lower hole in the Return Coin Spout Mounting Bracket. See Figure 6-4.

38. Install the Draw Bar Retarder, Part Number 110-8008, and Roller, Part Number 110-8009, on the Left Sidewall using a No.8-32 x 5/8 PHS Screw with Lockwasher, Part Number 9900-202, and a No.8-32 Nut with Lockwasher, Part Number 9900-081, all included in the Kit. Lubricate the Roller with Lubriplate. See View A of Figure 6-6.

39. Install a No.8-32 x 1/4 RHS Self Tapping Screw, Part Number 9900-046, included in the Kit, from the inside of the Left Sidewall so the Draw Bar Retarder Arm rests on the threads of the Screw. See View A of Figure 6-6.

NOTE

When a pull knob is pulled too fast, the Draw Bar Retarder Tab will lock the Left Arm Assembly, preventing a "free" vend. To complete the vend cycle when this happens, pull the Pull Knob all the way out, which will release the Left Arm Assembly and allow the Pull Knob to return to the at rest position. If the Draw Bar Retarder does not satisfactorily lock the Left Arm Assembly when a Pull Knob is pulled fast, bend the Draw Bar Retarder Arm down slightly until the Draw Bar Retarder works properly. See View B of Figure 6-6.

40. See Section VIII for proper lubrication of the Right Sidewall and the Delivery Mechanism.

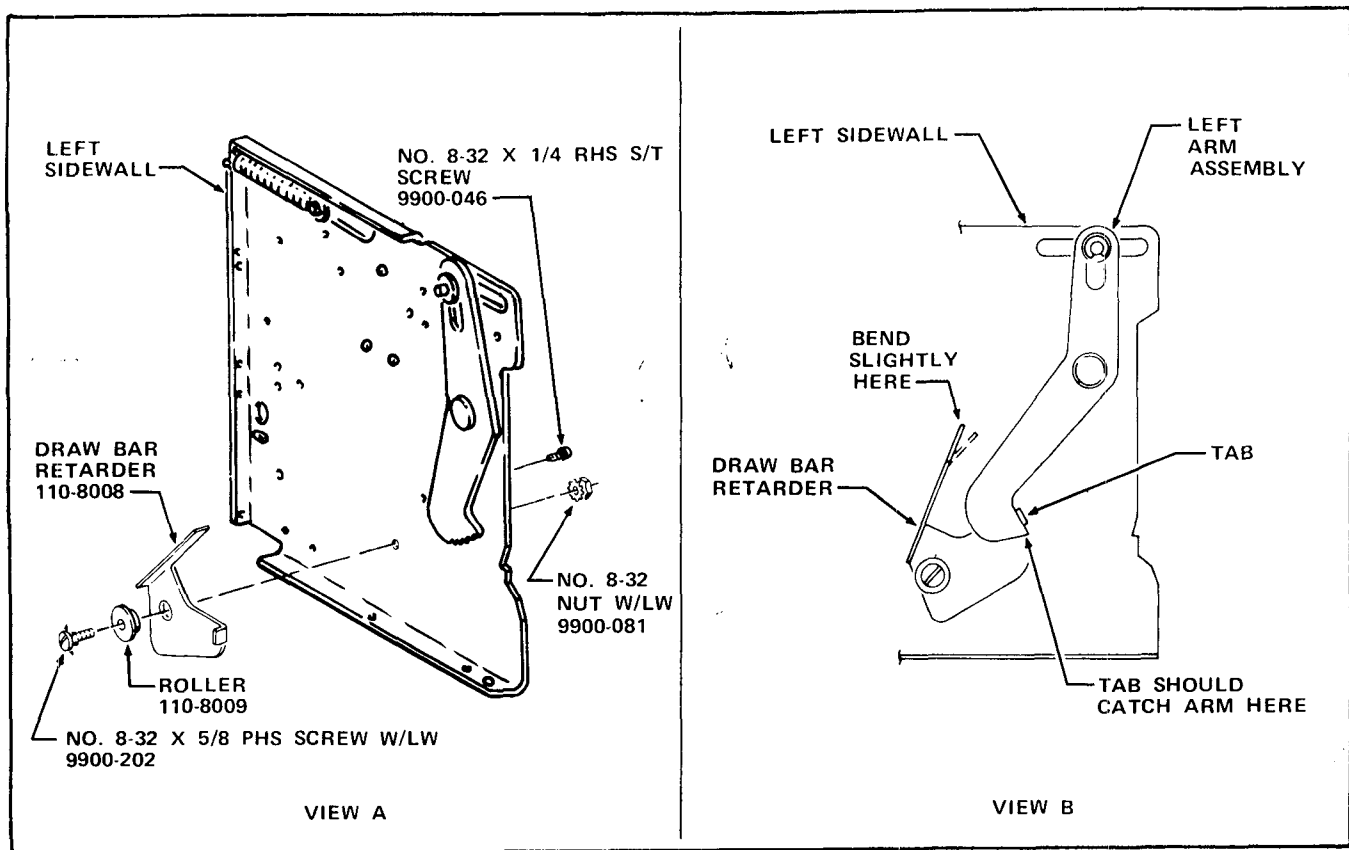


FIGURE 6-6

41. Install the Main Shaft Extension, Part Number 110-4261, included in the Kit, on the Main Shaft of the Right Sidewall by mating the slotted end of the Main Shaft Extension with the shouldered end of the Main Shaft. See Figure 6-3.
42. Install the All Coin Manual Recorder (ACMR) on the Right Sidewall by fitting the Main Shaft of the Sidewall through the hole in the ACMR. Mount the studs on the sides of the ACMR on top of the Mounting Brackets on the Right Sidewall. See Figure 6-3.
43. Attach the top of the ACMR to the Right Sidewall with a No.8-32 x 3/8 RHS Self Tapping Screw with Lockwasher, Part Number 9900-173, included in the Kit. See Figure 6-3.
44. Install the Main Shaft End Arm, Part Number 222-4095, included in the Kit, on the Main Shaft protruding through the ACMR and attach with a End Arm Cam Washer, Part Number 5580-060, and No.10-32 Self Locking Wing Nut, Part Number 9900-039, both parts included in the Kit. See Figure 6-3.
45. Install the Slug Rejector Assembly removed in the Parts Removal Procedure on the Right Sidewall and ACMR Assembly. See Figure 6-4.
46. Remove two No.8-32 Nuts with Lockwashers and the Scavenger Support Weld Assembly from the Bracket on the right inside wall of the Cabinet. Retain the Nuts.
47. Install the Scavenger Support Weld Assembly, Part Number 112-1011, included in the Kit, on the Bracket on the right inside wall of the Cabinet using two No.8-32 Nuts with Lockwashers. See Figure 6-7.
48. Remove three Screws from the Mechanism Sidewall "Z" Section in the lower right corner of the Merchandiser and install the Mechanism Sidewall "Z" Section, Part Number 110-1023, included in the Kit, on top of the Mechanism Sidewall "Z" Section already in the Merchandiser. Attach using three No.8-32 x 1/2 RHS Self Tapping Screws, Part Number 9900-156, included in the Kit. See Figure 6-8.
49. Remove the Price Setting Instructions Label and any information pertaining to the Sliding Coin Chute.

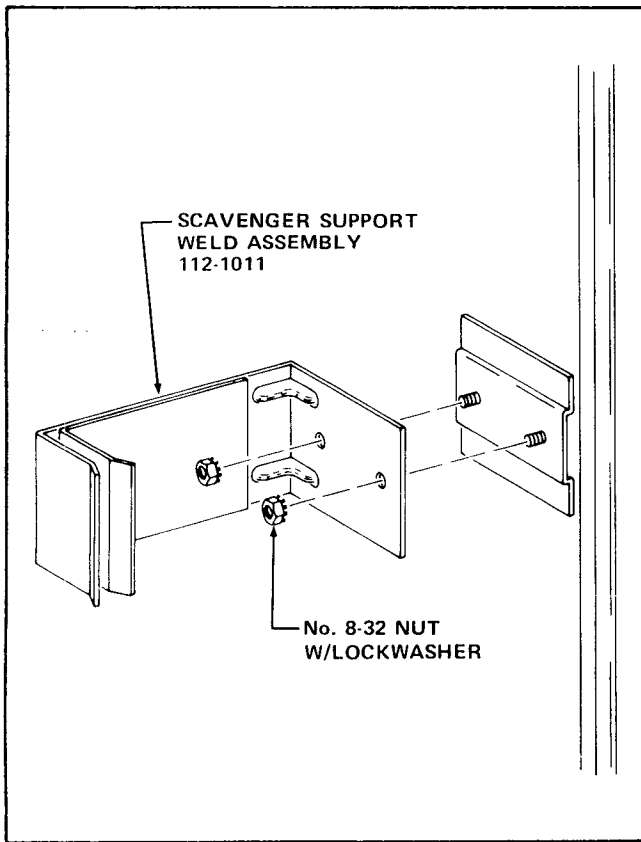


FIGURE 6-7

50. Position the Coin Block Plate, located in the inside of the Door behind the slot in the Coin Insert Casting, so the Merchandiser will accept nickels, dimes, and quarters.

WARNING

The Delivery Mechanism is a HEAVY unit. More than one person will be required to install the Delivery Mechanism in the Cabinet.

51. Install the Delivery Mechanism in the Cabinet.
52. Install all Magazine Columns in the Delivery Mechanism.

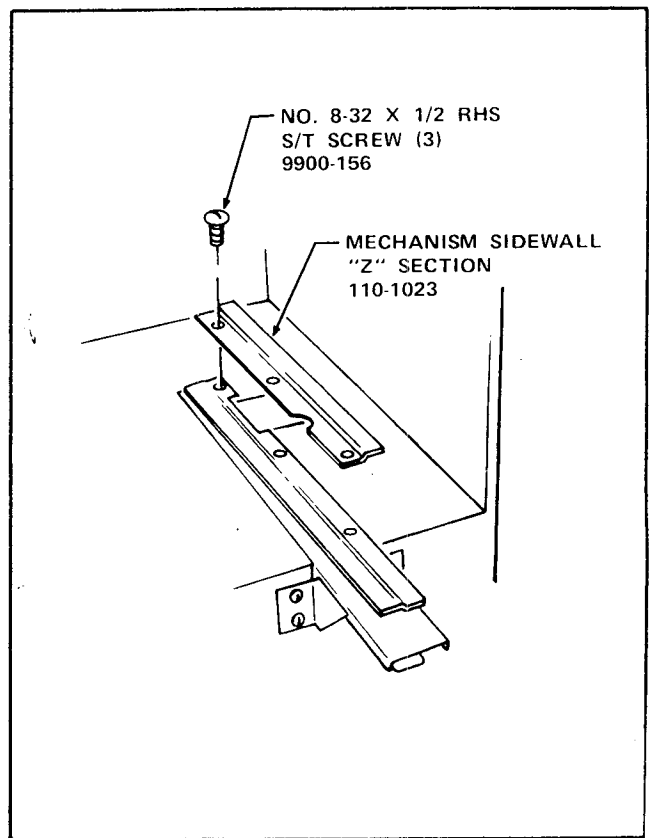


FIGURE 6-8

53. If the Merchandiser is equipped with a Gum and Mint Mechanism, install the Gum and Mint Magazine in the Delivery Mechanism.

54. Install the Money Box. See Figure 6-4.

CAUTION

In some cases the Scavenger Bar Assembly will have to be adjusted to ensure proper closure of the Door and proper operation of the Coin Return.

55. Close the Cabinet Door.

SECTION VII - SERIES 510 MERCHANDISERS

PARTS LIST

Part Number	Description	Quantity	Part Number	Description	Quantity
9900-041	9/16 x .260 x .040 Brass Washer	2	110-8009	Roller	1
9900-425	.250 Retaining Ring * * *	2		attaching parts	
222-4093	Scavenger Bar Roller Guide	2	9900-202	No.8-32 x 5/8 RHS Screw	1
213-4002	Scavenger Bar Assembly	1		W/LW	
	attaching parts		9900-081	No.8-32 Nut W/LW	1
220-4093	Scavenger Bar Washer	2	9900-046	No.8-32 x 1/4 RHS S/T Screw	1
9900-418	.187 Retaining Ring * * *	2		* * *	
9900-412	.125 Retaining Ring * * *	2	110-1021	Money Box Runner	1
110-6649	Price Selector Finger	5		attaching part	
110-6647	Outside Price Selector Shaft	1	9900-156	No.8-32 x 1/2 RHS S/T Screw	3
	attaching parts			* * *	
9900-106	No.8-32 x 3/8 Acorn Hex Hd	5	222-4095	Main Shaft End Arm	1
	S/T Screw		222-6511	Main Shaft End Washer	1
	* * *		9900-039	No.10-32 Self Locking Wing	
110-6648	Inside Price Selector Shaft	1		Nut	1
110-6650	Price Selector Support Angle	1	9900-173	No.8-32 x 3/8 RHS S/T Screw	
	attaching parts			W/LW	1
9900-046	No.8-32 x 1/4 RHS S/T Screw	2		* * *	
	* * *				
110-4261	Main Shaft Extension	1			
	* * *				
112-4501	Right Sidewall Final Assembly	1			
	attaching parts				
9900-023	No.8-32 x 3/8 PHS Screw W/LW	4			
9900-081	No.8-32 Nut W/LW	1			
9900-046	No.8-32 x 1/4 RHS S/T Screw	2			
	* * *				
110-4060	Draw Bar Arm Roller	2			
	* * *				
110-6646	Main Shaft Shim	1			
	* * *				
9900-041	9/16 x .260 x .040 Brass Washer	1			
9900-425	.250 Retaining Ring	1			
	* * *				
110-4196	Inside Price Differential Arm	1			
	Assembly				
110-4198	Outside Price Differential Arm	1			
	Assembly				
	attaching parts				
9900-067	7/16 x .203 x .062 Steel Washer	2			
9900-206	No.10-32 Self Locking Nut	2			
	* * *				
110-4200	Inside Price Differential Rod	1			
110-4201	Outside Price Differential Rod	1			
	attaching parts				
9900-412	.125 Retaining Ring	2			
9900-418	.187 Retaining Ring	2			
	* * *				
222-7224	Price Differential Spring	2			
	* * *				
110-8008	Draw Bar Retarder	1			

TO INSTALL THE KIT

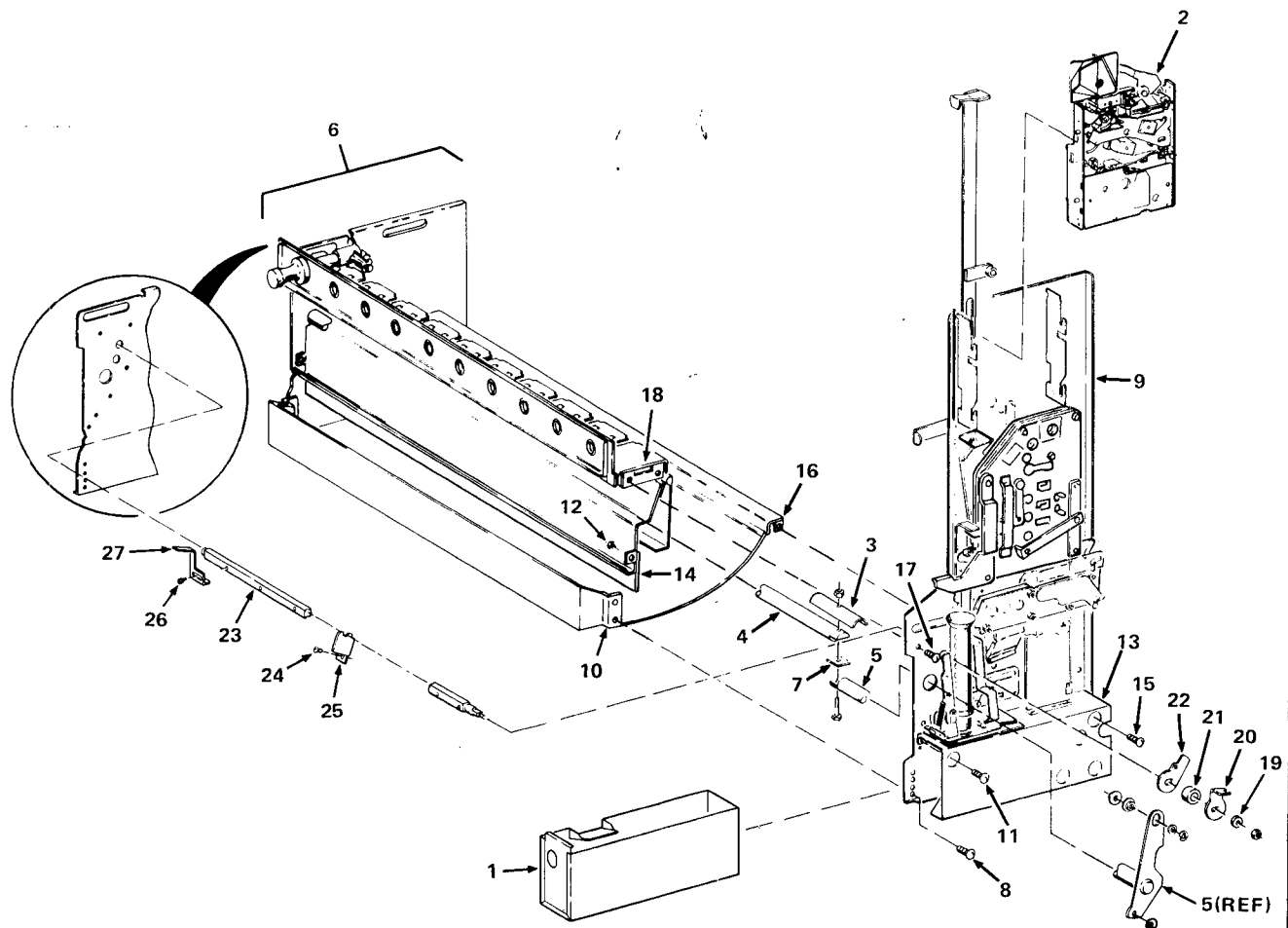
A. PARTS REMOVAL

1. Unplug the Merchandiser electrical Service Cord from the wall receptacle.
2. Unlock and open the Cabinet Door.
3. Remove the Money Box from the Merchandiser. See Figure 7-1.
4. If the Merchandiser is equipped with a Gum and Mint Mechanism, remove the Gum and Mint Magazine.

WARNING

The Delivery Mechanism is a HEAVY Unit. More than one person will be required to remove the Delivery Mechanism from the Merchandiser.

5. Remove the Delivery Mechanism from the Cabinet and lay on a suitable workbench.
6. Remove the Slug Rejector Assembly from the Right Sidewall. Retain the Slug Rejector Assembly for use on the replacement Right Sidewall Final Assembly. See Figure 7-1.



1. MONEY BOX
2. SLUG REJECTOR
3. MAIN SHAFT COUPLING
4. MAIN SHAFT ASSEMBLY
5. RIGHT MAIN SHAFT AND ARM ASSEMBLY
6. DELIVERY MECHANISM
7. MAIN SHAFT SHIM
8. No. 8-32 x 1/4 RHS S/T SCREW
9. RIGHT SIDEWALL
10. DELIVERY PAN CASTING RIGHT END BRACKET
11. No. 8-32 x 3/8 PHS SCREW W/LW
12. No. 8-32 NUT W/LW
13. COIN BOX HOUSING
14. PAN GUARD ASSEMBLY
15. No. 8-32 x 3/8 PHS SCREW W/LW
16. REAR OF DELIVERY PAN ASSEMBLY
17. No. 8-32 x 3/8 PHS SCREW W/LW (2)
18. END OF MAIN SLOTTED APRON
19. SELECTOR BAR SHAFT WASHER
20. COIN STACK LOCK CAM
21. PRICE SHAFT CAM SPACER
22. PRICE DIFFERENTIAL CAM
23. PRICE SELECTOR SHAFT
24. No. 8-32 x 1/4 RHS S/T SCREW (2)
25. PRICE SELECTOR SUPPORT ANGLE
26. No. 8-32 x 3/8 ACORN HEX HEAD SCREW (10)
27. PRICE SELECTOR FINGER (10)

FIGURE 7-1

NOTE

On earlier style Series 510 Merchandisers equipped with a single piece Main Shaft, skip step 7 and 8, and remove the Nut and Washer attaching the Shaft and Draw Bar Sub-Assembly Arm to the Main Shaft.

7. Remove a No.10-32 Nut, Main Shaft Bolt and Main Shaft Coupling from the left Main Shaft Assembly and Right Main Shaft and Arm Assembly of the Delivery Mechanism. Retain the No.10-32 Nut, Main Shaft Bolt, and Main Shaft Coupling for use during installation of the Kit. See Figure 7-1.
8. Remove the Main Shaft Shim from between the left Main Shaft Assembly and Right Main Shaft and Arm Assembly. See Figure 7-1.
9. Remove two No.8-32 x 1/4 RHS Self Tapping Screws attaching the Right Sidewall to Delivery Pan Casting Right End Bracket. See Figure 7-1.
10. Remove a No.8-32 x 3/8 PHS Screw with Lockwasher and No.8-32 Nut with Lockwasher attaching the Coin Box Housing and Right Sidewall to the Pan Guard Assembly. See Figure 7-1.
11. Remove a No.8-32 x 3/8 PHS Screw with Lockwasher attaching the Right Sidewall to the rear of the Delivery Pan Assembly. See Figure 7-1.
12. Remove two No.8-32 x 3/8 PHS Screws with Lockwashers attaching the Right Sidewall to the end of the Main Slotted Apron. See Figure 7-1.
13. Remove a No.10-32 Nut, Selector Bar Shaft Washer, Coin Stack Lock Cam, Price Shaft Cam Spacer and Price Differential Cam from the Price Selector Shaft. See Figure 7-1.
14. Remove the Right Sidewall Assembly from the Delivery Mechanism. See Figure 7-1.
15. Remove two Retaining Rings, a Washer, and the Right Main Shaft and Arm Assembly from the Right Sidewall. Retain the Right Main Shaft and Arm Assembly for use on the replacement Right Sidewall Final Assembly. See Figure 7-1.
16. Remove two Retaining Rings, two Washers, and Lock Release Bar from the Right Sidewall. Retain the Lock Release Bar for use on the replacement Right Sidewall Final Assembly. See Figure 7-2.
17. Remove two No.8-32 Nuts with Lockwashers, two Spacer Rollers, two No.8-32 x 5/8 RHS Screws and the Right Sidewall Spacer from the Right Sidewall. Retain the Right Sidewall Spacer for use on the replacement Right Sidewall Final Assembly. See Figure 7-2.
18. Remove two No.8-32 x 1/4 RHS Self Tapping Screws and Price Selector Support Angle from the Pan Guard Assembly. See Figure 7-1.
19. Remove the Price Selector Shaft from the Delivery Mechanism. See Figure 7-1.
20. Remove ten No.8-32 x 3/8 Acorn Hex Head Screws and ten Price Selector Fingers from the Price Selector Shaft. Retain the Screws and Price Selector Fingers for use in installing the Kit. See Figure 7-1.
21. Thoroughly clean the Delivery Mechanism. See Figure 7-1.

B. INSTALLATION OF THE KIT

NOTE

Steps 1 through 16 cover preparing the replacement Right Sidewall Final Assembly Part Number 112-4501, included in the Kit, for use on the Series 510 Merchandiser.

1. Remove two Retaining Rings, two Washers, and the Lock Release Bar from the Right Sidewall. See Figure 7-3.
2. Install the Lock Release Bar, removed in the Parts Removal Procedure, on the Right Sidewall using two 9/16 x .260 x .040 Brass Washers, Part Number 9900-041, and two .250 Retaining Rings, Part Number 9900-425, both included in the Kit. See Figure 7-3.

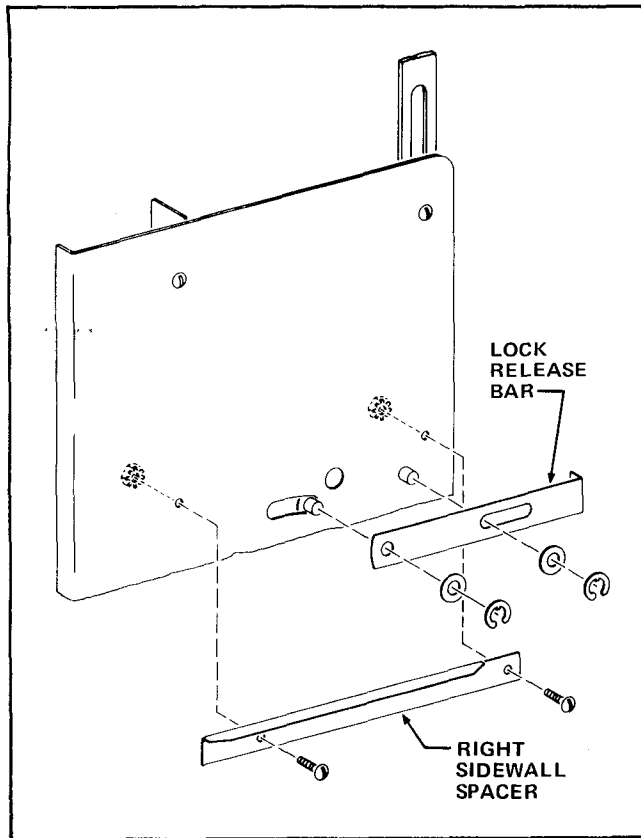


FIGURE 7-2

3. Remove two No.8-32 Nuts with Lockwashers, two Spacer Rollers, two No.8-32 x 5/8 RHS Screws and the Right Sidewall Spacer from the Right Sidewall. Retain the attaching hardware. See Figure 7-3.
4. Install the Right Sidewall Spacer removed in the Parts Removal Procedure on the Right Sidewall and attach with the flange positioned on top using the hardware removed in the preceding step. See Figure 7-3.
5. Remove a Retaining Ring and the Latch Insert Upper Arm Assembly from the Right Sidewall. Retain the Arm Assembly. See Figure 7-3.
6. Remove a Retaining Ring and the Latch Insert Lower Arm Assembly from the Right Sidewall. Retain the Arm Assembly. See Figure 7-3.
7. Remove the end of the Scavenger Bar Spring attached to the Scavenger Bar on the Right Sidewall. See Figure 7-3.
8. Remove two Retaining Rings, two Scavenger Bar Washers, Scavenger Bar Assembly and two Scavenger Bar Roller Guides from the Right Sidewall. See Figure 7-3.

9. Install two Scavenger Bar Roller Guides, Part Number 222-4093, included in the Kit, on two studs of the Right Sidewall. Make sure the wide end of the Roller Guides rest against the Sidewall. See Figure 7-3.
10. Install the Scavenger Bar Assembly, Part Number 213-4002, included in the Kit, by fitting the slots of the Scavenger Bar Assembly over the Scavenger Bar Roller Guides. Make sure the arm on top of the Scavenger Bar Assembly points towards the front of the Right Sidewall. See Figure 7-3.
11. Attach the Scavenger Bar Assembly to the Right Sidewall using two Scavenger Bar Washers, Part Number 220-4093, and two .187 Retaining Rings, Part Number 9900-418, both included in the Kit. See Figure 7-3.
12. Attach the Scavenger Bar Spring to the Hole in the Angle Arm of the Scavenger Bar Assembly. See Figure 7-3.
13. Install the Latch Insert Upper Arm Assembly removed in Step B-5 on the Right Sidewall as shown in Figure 7-3 and attach with a .125 Retaining Ring, Part Number 9900-412, included in the Kit.
14. Install the Latch Insert Lower Arm Assembly removed in Step B-6 on the Right Sidewall as shown in Figure 7-3 and attach with a .125 Retaining Ring, Part Number 9900-412, included in the Kit.

NOTE

Be sure the threaded ends of both Price Selector Shafts are positioned to the right and the Price Selector Fingers are installed in the up position, as shown in Figure 7-4.

15. Install the five Price Selector Fingers, Part Number 110-6649, on the Outside Price Selector Shaft, Part Number 110-6647, using five No.8-32 x 3/8 Acorn Hex Head Self Tapping Screws, Part Number 9900-106, all included in the Kit. See Figure 7-4.
16. Install the ten Price Selector Fingers removed in the Parts Removal Procedure, on the Inside Price Selector Shaft, Part Number 110-6648, included in the Kit, using the ten No.8-32 x 3/8 Acorn Hex Head Self Tapping Screws, also retained from the Parts Removal Procedure. See Figure 7-4.
17. Install the non-threaded end of the Inside Price Selector Shaft in the top inside hole in the Left Sidewall. See View A of Figure 7-4.
18. Install the non-threaded end of the Outside Price Selector Shaft in the top inside hole in the Left Sidewall. See View A of Figure 7-4.

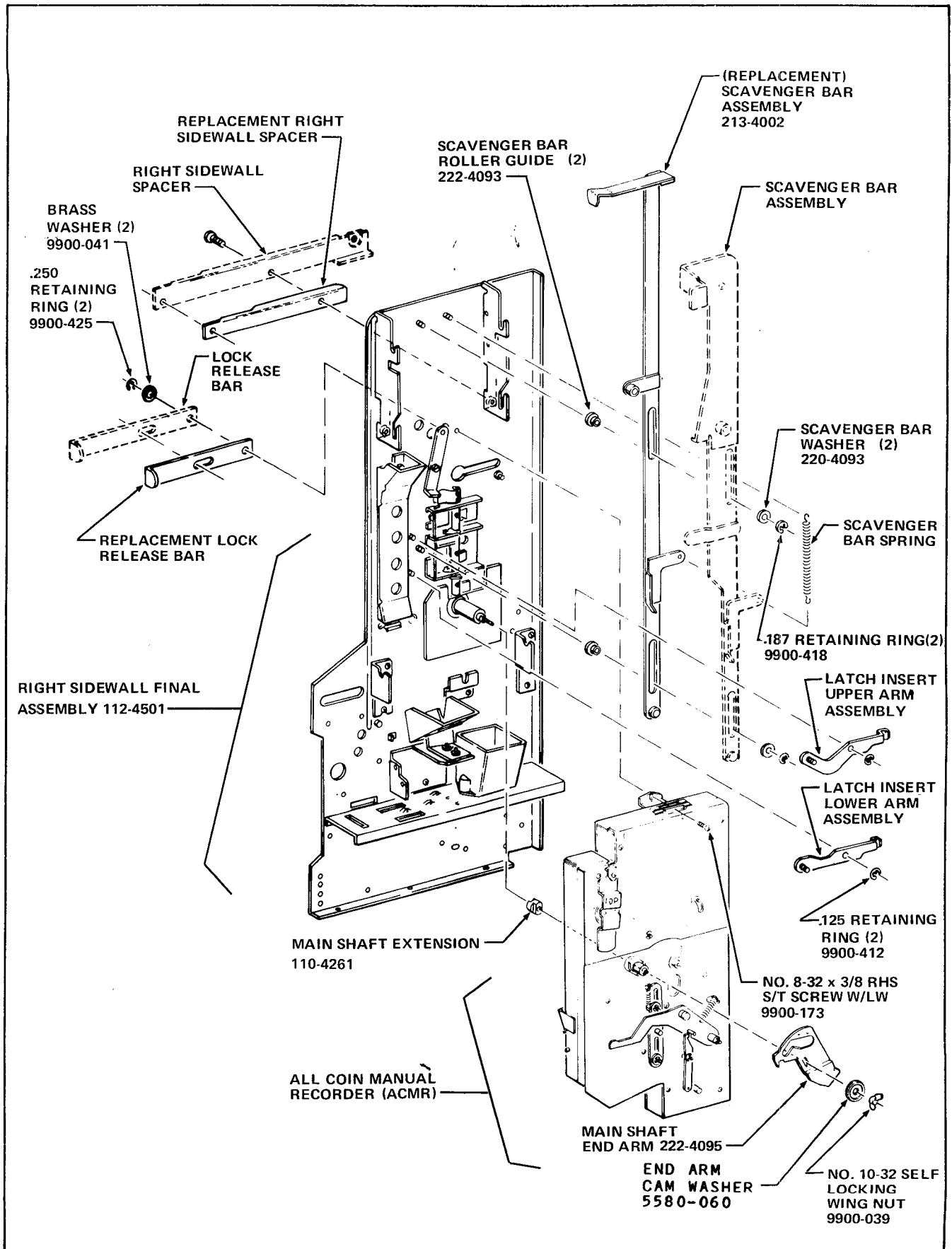
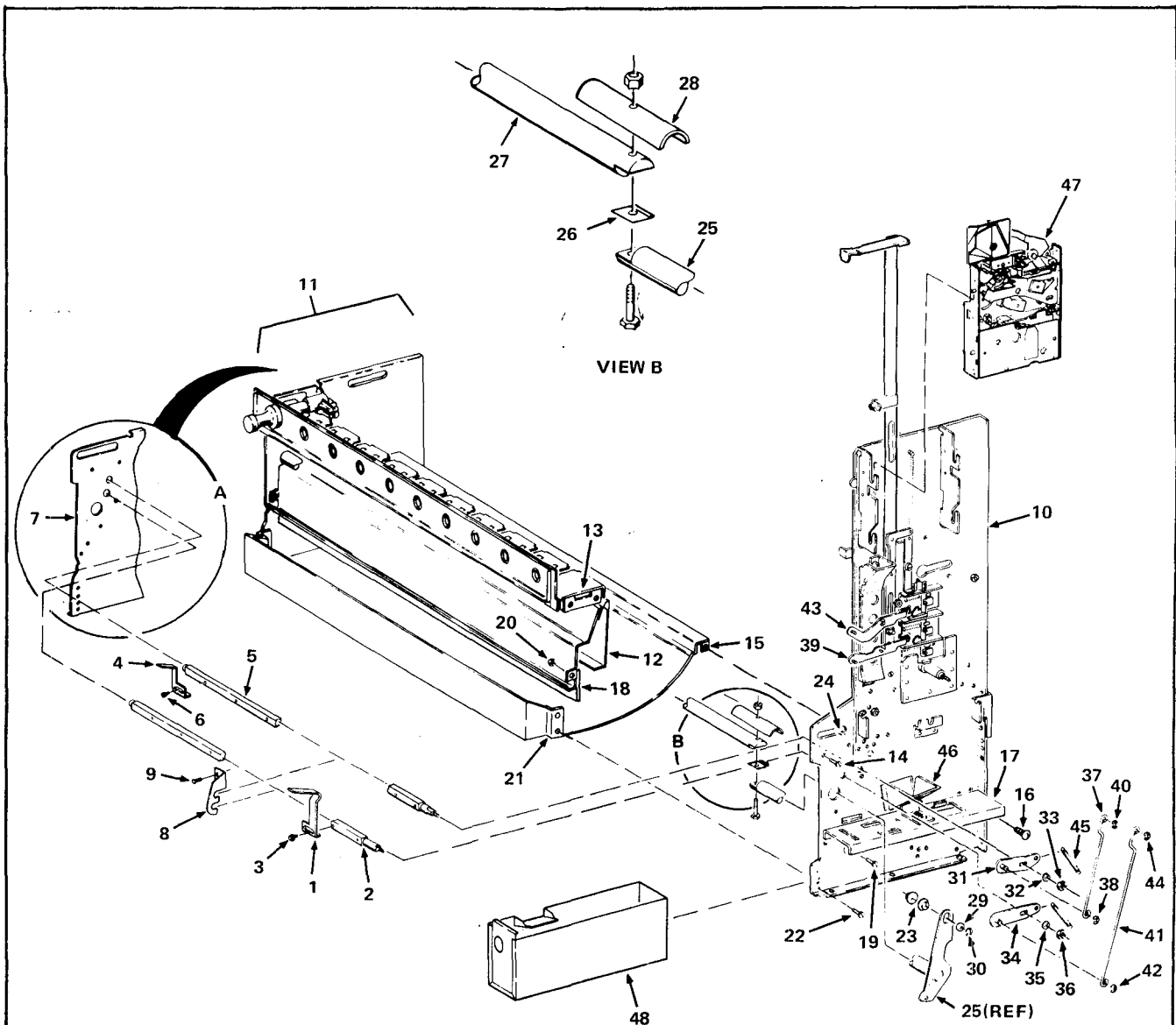


FIGURE 7-3



- | | |
|---|--|
| <ol style="list-style-type: none"> 1. PRICE SELECTOR FINGER (5) - (110-6649) 2. OUTSIDE PRICE SELECTOR SHAFT - (110-6647) 3. No. 8-32 x 3/8 ACORN HEX HEAD S/T SCREW (5) - (9900-106) 4. PRICE SELECTOR FINGER (10) - (From Parts Removal) 5. INSIDE PRICE SELECTOR SHAFT - (110-6648) 6. No. 8-32 x 3/8 ACORN HEX HEAD S/T SCREW (10) - (From Parts Removal) 7. LEFT SIDEWALL 8. PRICE SELECTOR SUPPORT ANGLE - (110-6650) 9. No. 8-32 x 1/4 RHS S/T SCREW (2) - (9900-046) 10. RIGHT SIDEWALL 11. DELIVERY MECHANISM 12. BAFFLE PLATE 13. END OF MAIN SLOTTED APRON 14. No. 8-32 x 3/8 PHS SCREW W/LW (2) - (9900-023) 15. REAR OF DELIVERY PAN ASSEMBLY 16. No. 8-32 x 3/8 PHS SCREW W/LW - (9900-023) 17. MONEY BOX PLATE 18. PAN GUARD ASSEMBLY 19. No. 8-32 x 3/8 PHS SCREW W/LW - (9900-023) 20. No. 8-32 NUT W/LW - (9900-081) 21. DELIVERY PAN CASTING RIGHT END BRACKET 22. No. 8-32 x 1/4 RHS S/T SCREW (2) - (9900-046) 23. DRAW BAR ARM ROLLER (2) - (110-4060) 24. STUD (RACK PLATE ASSEMBLY) | <ol style="list-style-type: none"> 25. RIGHT MAIN SHAFT AND ARM ASSEMBLY (From Parts Removal) 26. MAIN SHAFT SHIM - (110-6646) 27. MAIN SHAFT ASSEMBLY 28. MAIN SHAFT COUPLING (From Parts Removal, including Bolt and Nut) 29. 9/16 x .260 x .040 BRASS WASHER - (9900-041) 30. .250 RETAINING RING (9900-425) 31. INSIDE PRICE DIFFERENTIAL ARM ASSEMBLY (110-4196) 32. 7/16 x .203 x .062 STEEL WASHER (9900-067) 33. No. 10-32 SELF LOCKING NUT (9900-206) 34. OUTSIDE PRICE DIFFERENTIAL ARM ASSEMBLY (110-4198) 35. 7/16 x .203 x .062 STEEL WASHER (9900-067) 36. No. 10-32 SELF LOCKING NUT (9900-206) 37. INSIDE PRICE DIFFERENTIAL ROD (110-4200) 38. .187 RETAINING RING (9900-418) 39. LATCH INSERT LOWER ARM ASSEMBLY 40. .125 RETAINING RING (9900-412) 41. OUTSIDE PRICE DIFFERENTIAL ROD (110-4201) 42. .187 RETAINING RING (9900-418) 43. LATCH INSERT UPPER ARM ASSEMBLY 44. .125 RETAINING RING (9900-412) 45. PRICE DIFFERENTIAL SPRINGS (2) - (222-7224) 46. RETURN COIN SPOUT MOUNTING BRACKET 47. SLUG REJECTOR ASSEMBLY (From Parts Removal) 48. MONEY BOX (From Parts Removal) |
|---|--|

FIGURE 7-4

NOTE

Do not tighten Screws in Steps 19 through 23 until Step 23 is completed.

19. Install the Price Selector Support Angle, Part Number 110-6650, on the Pan Guard Assembly, fitting the two notches of the Angle around the two Price Selector Shafts, and attach the Angle to the Pan Guard Assembly using two No.8-32 x 1/4 RHS Self Tapping Screws, Part Number 9900-046, all included in the Kit. See Figure 7-4.
20. Install the Right Sidewall on the Delivery Mechanism by first fitting the two holes in the Right Sidewall over the threaded ends of the two Price Selector Shafts. See Figure 7-4. Fit the hole in the end of the Baffle Plate over the Stud on the inside of the Right Sidewall. See Figure 7-4. Attach the Right Sidewall to the end of the Main Slotted Apron using two No.8-32 x 3/8 PHS Screws with Lockwashers, Part Number 9900-023, included in the Kit. See Figure 7-4.
21. Attach the Right Sidewall to the rear of the Delivery Pan Assembly using a No.8-32 x 3/8 PHS Screw with Lockwasher, Part Number 9900-023, included in the Kit. See Figure 7-4.
22. Attach the front end of the Money Box Plate to the Pan Guard Assembly using a No.8-32 x 3/8 PHS Screw with Lockwasher, Part Number 9900-023, and No.8-32 Nut with Lockwasher, Part Number 9900-081, both included in the Kit. See Figure 7-4.
23. Attach the front edge of the Right Sidewall to the Delivery Pan Casting Right End Bracket using two No.8-32 x 1/4 RHS Self Tapping Screws, Part Number 9900-046, included in the Kit. See Figure 7-4.

CAUTION

1. Be sure the Price Selector Shafts are in the proper holes on the Left Sidewall. See View A of Figure 7-4.
 2. Check to be sure the right end of the Draw Bar is properly fit under the notched part of the Rack Plate Arm. Compare with the left end fitting of both parts. See Figure 7-5.
24. Tighten all Screws installed in Steps 19 through 23.
 25. Install two Draw Bar Arm Rollers, Part Number 110-4060, included in the Kit, over the Stud on the arm of the Rack Plate Assembly, protruding through the slot in the Right Sidewall. See Figure 7-4.

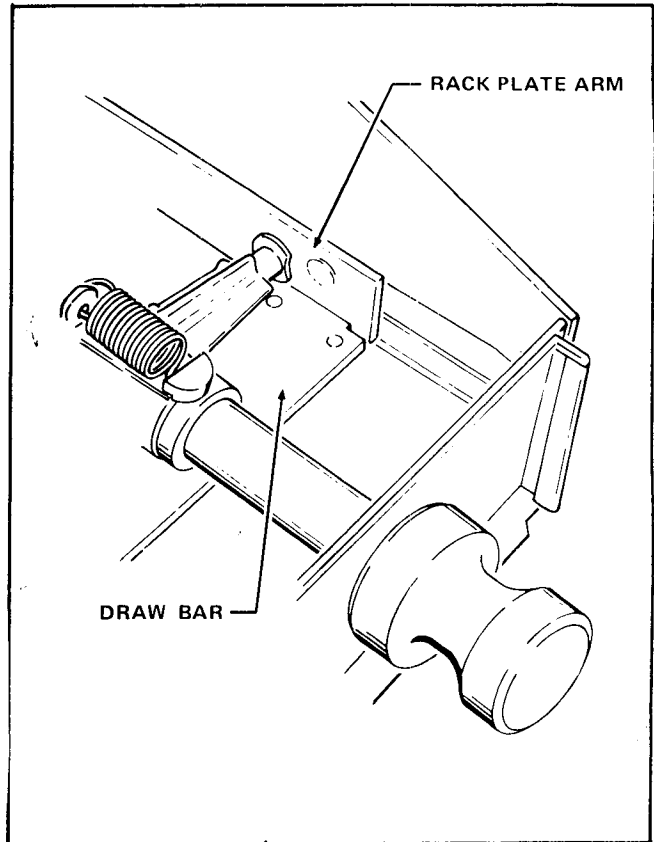


FIGURE 7-5

26. Insert the Right Main Shaft and Arm Assembly, removed in the Parts Removal Procedure, through the hole in the Right Sidewall and fit the slotted end of the Arm Assembly over the Stud on the arm of the Rack Plate Assembly. See Figure 7-4.

NOTE

1. Be sure the Main Shaft Shim in the next step is positioned as shown in View B of Figure 7-4, with the lip facing up and toward the rear.
 2. Use the Bolt, Nut, and Coupling in the next step which were removed in the Parts Removal procedure.
27. Install the Main Shaft Bolt through the Right Main Shaft and Arm Assembly, the Main Shaft Shim, Part Number 110-6646, included in the Kit, the Left Main Shaft Assembly and the Main Shaft Coupling and secure these parts with a No.10-32 Nut. See View B of Figure 7-4.
 28. Attach the slotted end of the Arm of the Right Main Shaft and Arm Assembly to the Stud on the arm of the Rack Plate Assembly using a 9/16 x .260 x .040 Brass Washer, Part Number 9900-041 and a .250 Retaining Ring, Part Number 9900-425, both included in the Kit. See Figure 7-4.

29. Install the Inside Price Differential Arm Assembly, Part Number 110-4196, included in the Kit, on the shoulder of the end of the Inside Price Selector Shaft, with the stud on the Arm facing away from the Right Sidewall and toward the front; then, secure with a 7/16 x .203 x .062 Steel Washer, Part Number 9900-067, and a No.10-32 Self Locking Nut, Part Number 9900-206, both included in the Kit. See Figure 7-4.
30. Install the Outside Price Differential Arm Assembly, Part Number 110-4198, included in the Kit, on the shoulder of the end of the Outside Price Selector Shaft with the stud on the Arm facing away from the Right Sidewall and toward the front; then, secure with a 7/16 x .203 x .062 Steel Washer, Part Number 9900-067, and a No.10-32 Self Locking Nut, Part Number 9900-206, both included in the Kit. See Figure 7-4.
31. Install the straight end of the Inside Price Differential Rod, Part Number 110-4200, included in the Kit, over the stud on the Inside Price Differential Arm Assembly and attach the parts with a .187 Retaining Ring, Part Number 9900-418, included in the Kit. See Figure 7-4.
32. Install the other end of the Inside Price Differential Rod over the stud on the Latch Insert Lower Arm Assembly and attach the parts with a .125 Retaining Ring, Part Number 9900-412, included in the Kit. See Figure 7-4.
33. Install the straight end of the Outside Price Differential Rod, Part Number 110-4201, included in the Kit, over the stud on the Outside Price Differential Arm Assembly and attach the parts with a .187 Retaining Ring, Part Number 9900-418, included in the Kit. See Figure 7-4.
34. Install the other end of the Outside Price Differential Rod over the stud on the Latch Insert Upper Arm Assembly and attach the parts with a .125 Retaining Ring, Part Number 9900-412, included in the Kit. See Figure 7-4.
35. Install two Price Differential Springs, Part Number 222-7224, included in the Kit. Attach one Spring to the hole in one end of the Inside Price Differential Arm Assembly and attach the other end of the Spring to the upper hole in the Return Coin Spout Mounting Bracket. Similarly attach the other Spring to the Outside Price Differential Arm Assembly and the lower hole in the Return Coin Spout Mounting Bracket. See Figure 7-4.
36. Install the Draw Bar Retarder, Part Number 110-8008, and Roller, Part Number 110-8009, on the Left Sidewall using a No.8-32 x 5/8 PHS Screw with Lockwasher, Part Number 9900-202, and a No.8-32 Nut with Lockwasher, Part Number 9900-081, all included in the Kit. Lubricate the Roller with Lubriplate. See View A of Figure 7-6.
37. Install a No.8-32 x 1/4 RHS Self Tapping Screw, Part Number 9900-046, included in the Kit, from the inside of the Left Sidewall so the Draw Bar Retarder Arm rests on the threads of the Screw. See View A of Figure 7-6.

NOTE

When a Pull Knob is pulled too fast, the Draw Bar Retarder Tab will lock the Left Arm Assembly preventing a "free" vend. To complete the vend cycle when this happens, pull the Pull Knob all the way out, which will release the Left Arm Assembly and allow the Pull Knob to return to the at rest position. If the Draw Bar Retarder does not satisfactorily lock the Left Arm Assembly when a Pull Knob is pulled fast, bend the Draw Bar Retarder Arm down slightly until the Draw Bar Retarder works properly. See View B of Figure 7-6.

38. See Section VIII for proper lubrication of the Right Sidewall and Delivery Mechanism.
39. Install the Main Shaft Extension, Part Number 110-4261, included in the Kit on the Main Shaft of the Right Sidewall by mating the slotted end of the Main Shaft Extension with the shouldered end of the Main Shaft. See Figure 7-3.
40. Install the All Coin Manual Recorder (ACMR) on the Right Sidewall by fitting the Main Shaft of the Sidewall through the hole in the ACMR. Mount the studs on the sides of the ACMR on top of the Mounting Brackets on the Right Sidewall. See Figure 7-3.
41. Attach the top of the ACMR to the Right Sidewall with a No.8-32 x 3/8 RHS Self Tapping Screw with Lockwasher, Part Number 9900-173, included in the Kit. See Figure 7-3.
42. Install the Main Shaft End Arm, Part Number 222-4095, included in the Kit, on the Main Shaft protruding through the ACMR and attach with a End Arm Cam Washer, Part Number 5580-060, and No.10-32 Self Locking Wing Nut, Part Number 9900-039, both parts included in the Kit. See Figure 7-3.
43. Install the Slug Rejector Assembly removed in the Parts Removal Procedure on the Right Sidewall. See Figure 7-4.

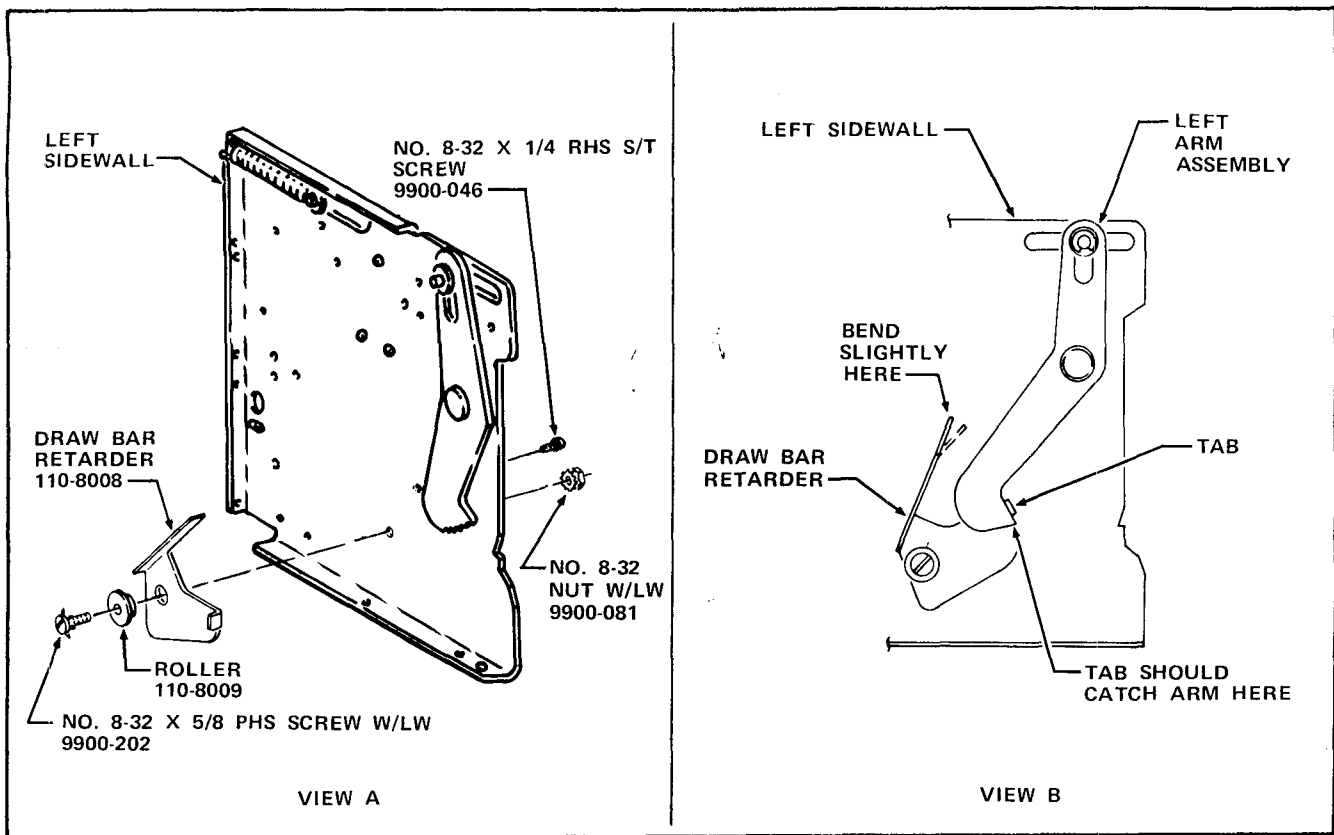


FIGURE 7-6

44. Remove two Screws from the Mechanism Sidewall "Z" Section in the lower right corner of the Merchandiser and install the Money Box Runner, Part Number 110-1021 included in the Kit, on top of the Mechanism Sidewall "Z" Section already in the Merchandiser. Attach using two No.8-32 x 1/2 RHS Self Tapping Screws, Part Number 9900-156, included in the Kit. See Figure 7-7.

45. Remove the Price Setting Instructions Label and any information pertaining to the Sliding Coin Chute.

46. Position the Coin Block Plate, located in the inside of the Door behind the slot in the Coin Insert Casting, so the Merchandiser will accept nickles, dimes, and quarters.

47. If the Merchandiser is equipped with a Gum and Mint Mechanism, install the Gum and Mint Magazine.

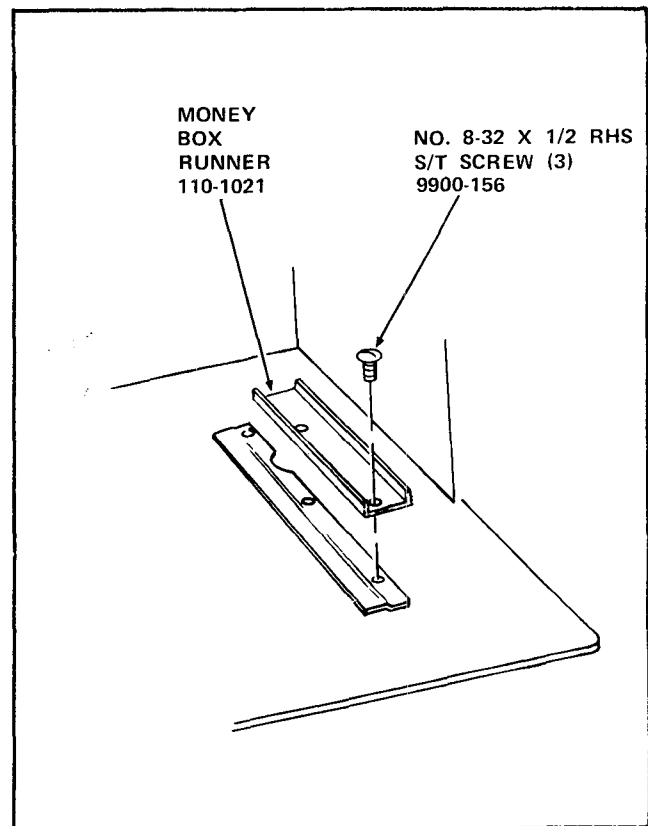


FIGURE 7-7

WARNING

The Delivery Mechanism is a HEAVY unit. More than one person will be required to install the Delivery Mechanism in the Cabinet.

48. Install the Delivery Mechanism in the Cabinet.
49. Install the Money Box. See Figure 7-4.

CAUTION

In some cases the Scavenger Bar Assembly will have to be adjusted to ensure proper closure of the Door and proper operation of the Coin Return.

50. Close the Cabinet Door

SECTION VIII - LUBRICATION

1. a. Lubricate the Selector Bars on the Draw Mechanism with Lubriplate. See Figure 8-1.
- b. Lubricate both ends of the Inside and Outside Price Selector Shafts with Lubriplate. See Figure 8-1.
- c. Lubricate the groove in the center of the Inside and Outside Price Selector Shafts where it comes in contact with the Price Selector Support Angle. Use Lubriplate. See Figure 8-1.
2. Lubricate the Rack Plate Assembly on the inside of the Right Sidewall with Lubriplate. See Figure 8-2.
3. Lubricate the outside of the Right Sidewall with Lubriplate and a dry film lubricant as shown in Figure 8-3.

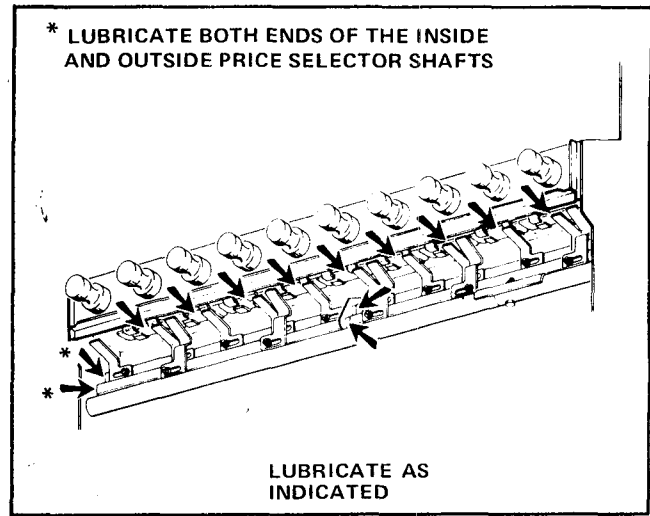


FIGURE 8-1

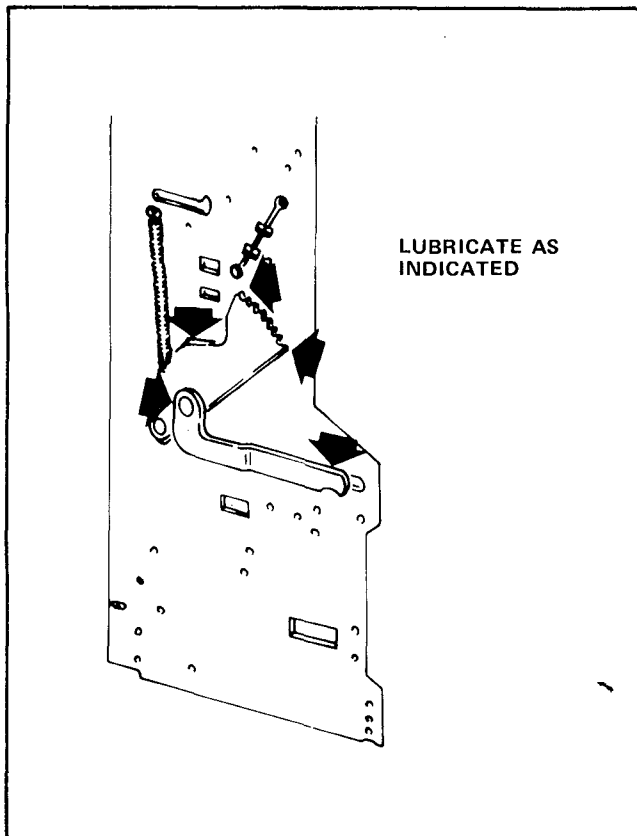


FIGURE 8-2

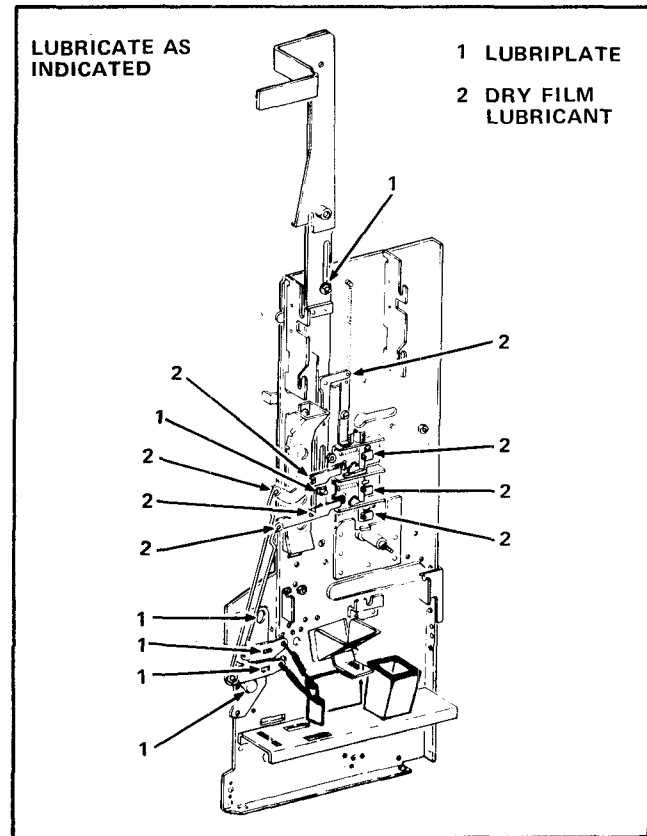


FIGURE 8-3